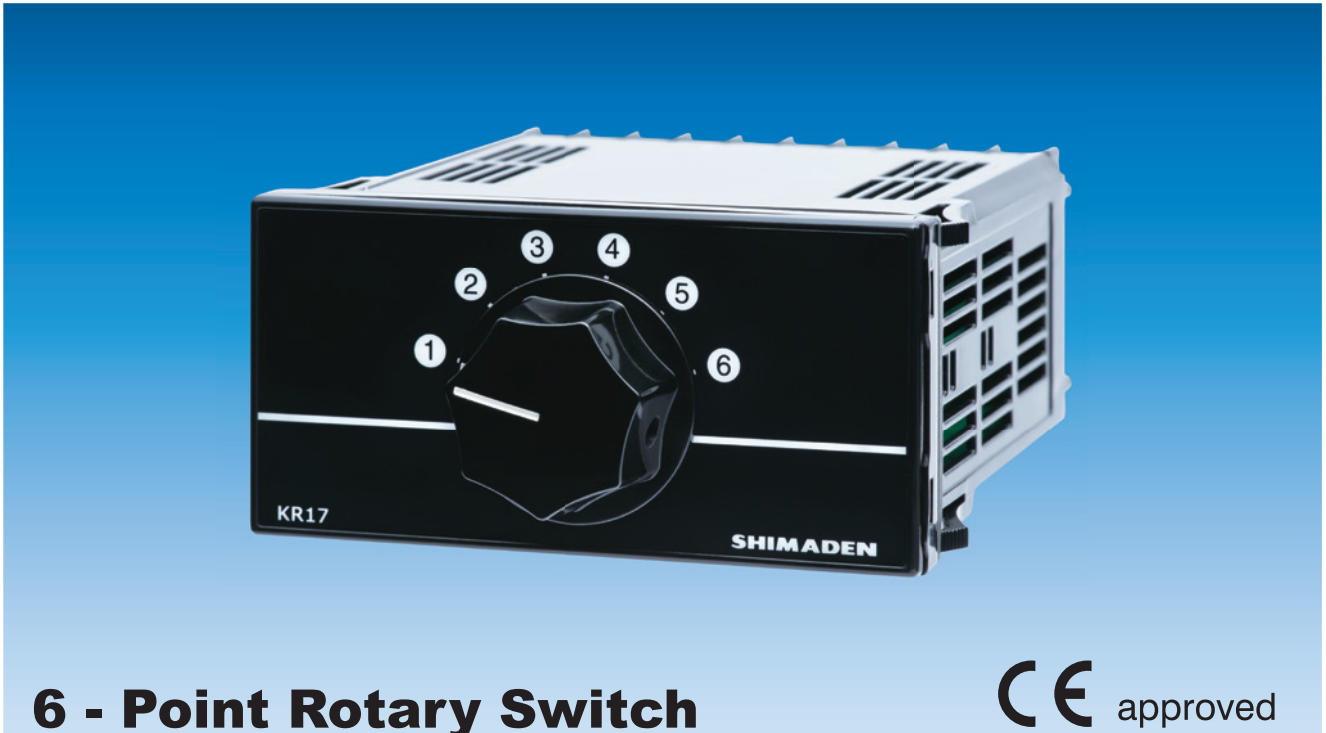


°C
%RH
SHIMADEN

KR17 SERIES SELECTOR SWITCH



6 - Point Rotary Switch

CE approved

SPECIFICATIONS

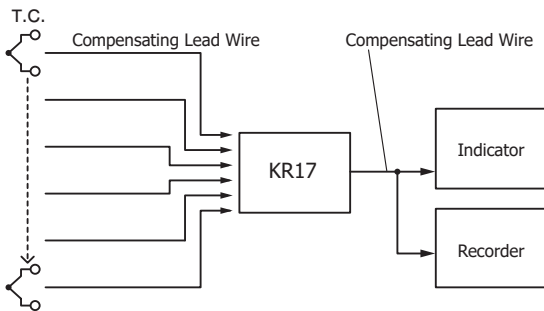
■ No. of switching points	: 6
■ No. of switching circuits	: 2
■ Switching operation	: Rotary switching
■ Applicable signal	: Thermocouple, voltage (R.T.D. not supported)
■ Contact rating	: Contact method: Contact slide Current: Max. 100 mA DC Voltage: Max. 30 V DC Contact resistance: Max. 300mΩ
■ Operating ambient temperature range	: -10–50°C
■ Operating ambient humidity range	: 90%RH or less (no dew condensation)
■ Applicable standard	: Safety standard: IEC 61010-1 and EN 61010-1; IEC 61010-2-030 and EN 61010-2-030 EMC standard: EN 61326-1 Complies with RoHS Directive
■ Material	: PPE resin
■ Color	: Case: Munsell N1 equivalent Front side: Munsell N1 equivalent
■ External dimensions	: H48 × W96 × D128 mm (100 mm depth inside the mounting panel)
■ Panel cutout	: H45 × W92 mm
■ Installation	: One-touch mounting through panel cutout
■ Panel thickness	: 1.0–4.0 mm
■ Weight	: Approx. 250 g

ORDERING INFORMATION

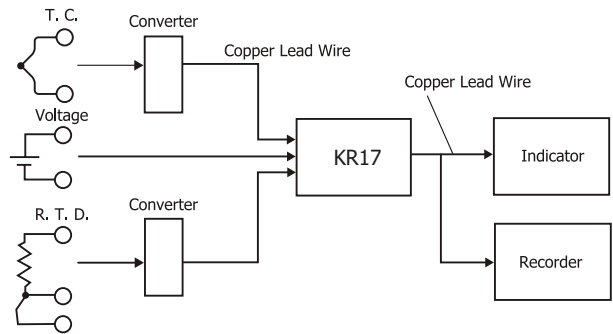
ITEMS	CODE		SPECIFICATIONS
SERIES	KR17 -		Rotary type 6 points selector switch
REMARKS	0		Without
	9		With (Please consult before ordering.)

APPLICATION EXAMPLE

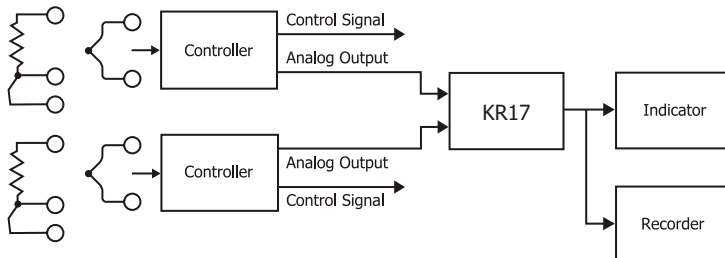
1. Selection of Thermocouple Switching



2. Selection of Voltage Switching



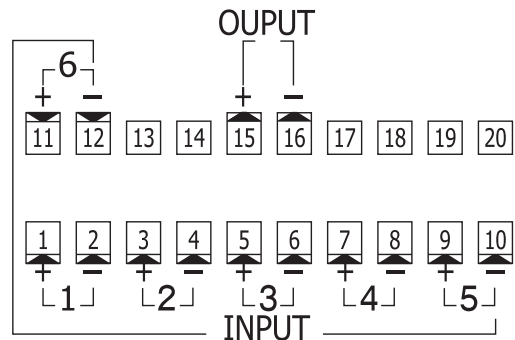
3. Selection of Analog Output (Voltage)



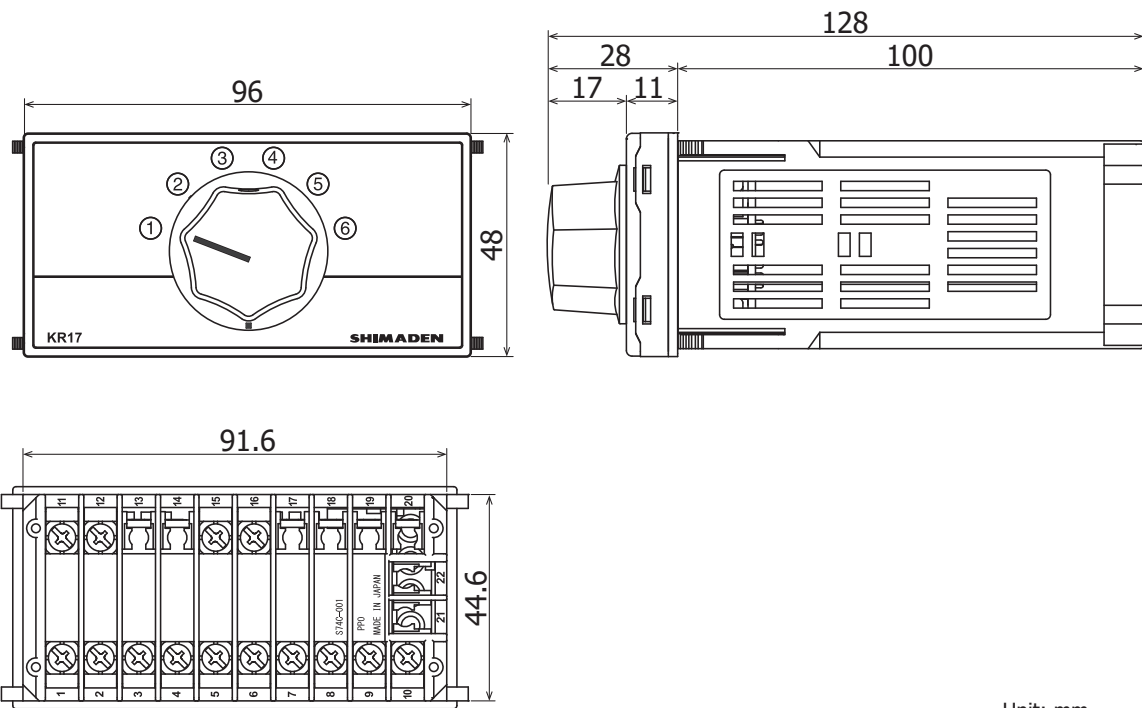
4. Installation Example with SD17



Terminal Arrangement

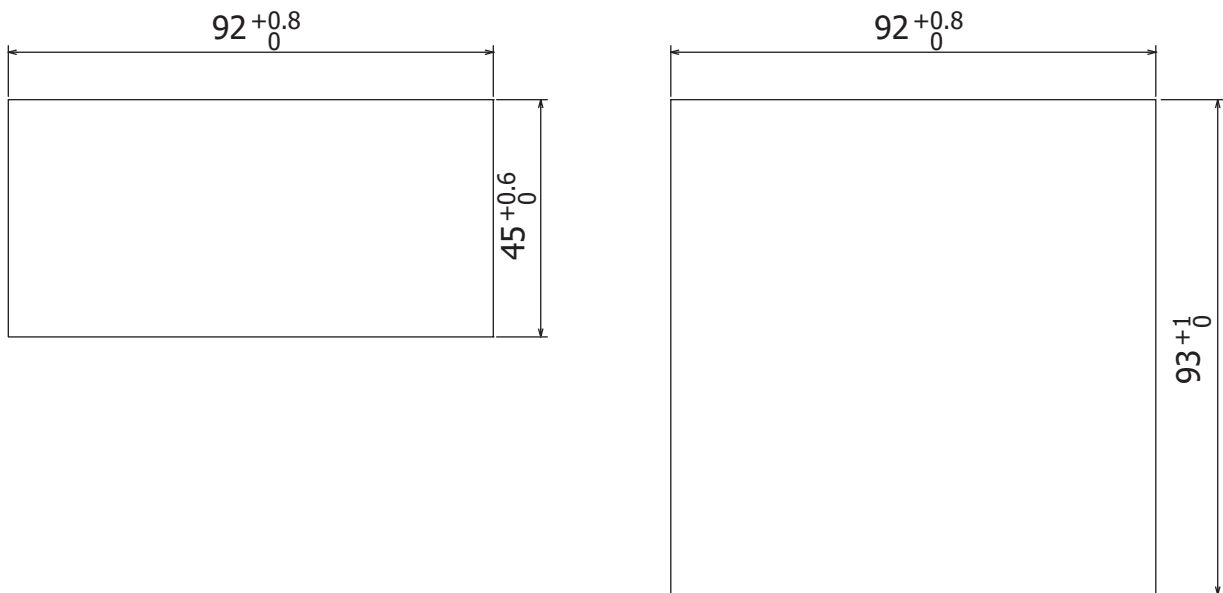


External Dimensions



Unit: mm

Panel Cutout



In case of installed with SD17

 Warning

- * The KR17 Series is designed for the control of temperature, humidity and other physical values of general industrial equipment. It is not be used for any purpose which regulates the prevention of the serious effect on human life or safety.



- * The possibility of loss or damage to your system or property as a result of failure of any part of the process exists, proper safety measures must be made before the instrument is put into use so as to prevent the occurrence of trouble.

Head Office & Saitama Factory
ISO 9001/ISO 14001 Certification Obtained

(The contents of this brochure are subject to change without notice.)

Temperature and Humidity Control Specialists
SHIMADEN CO., LTD.

Head Office: 2-30-10 Kitamachi, Nerima-Ku, Tokyo 179-0081 Japan
Phone: +81-3-3931-7891 Fax: +81-3-3931-3089
E-MAIL: exp-dept@shimaden.co.jp URL: <http://www.shimaden.co.jp>