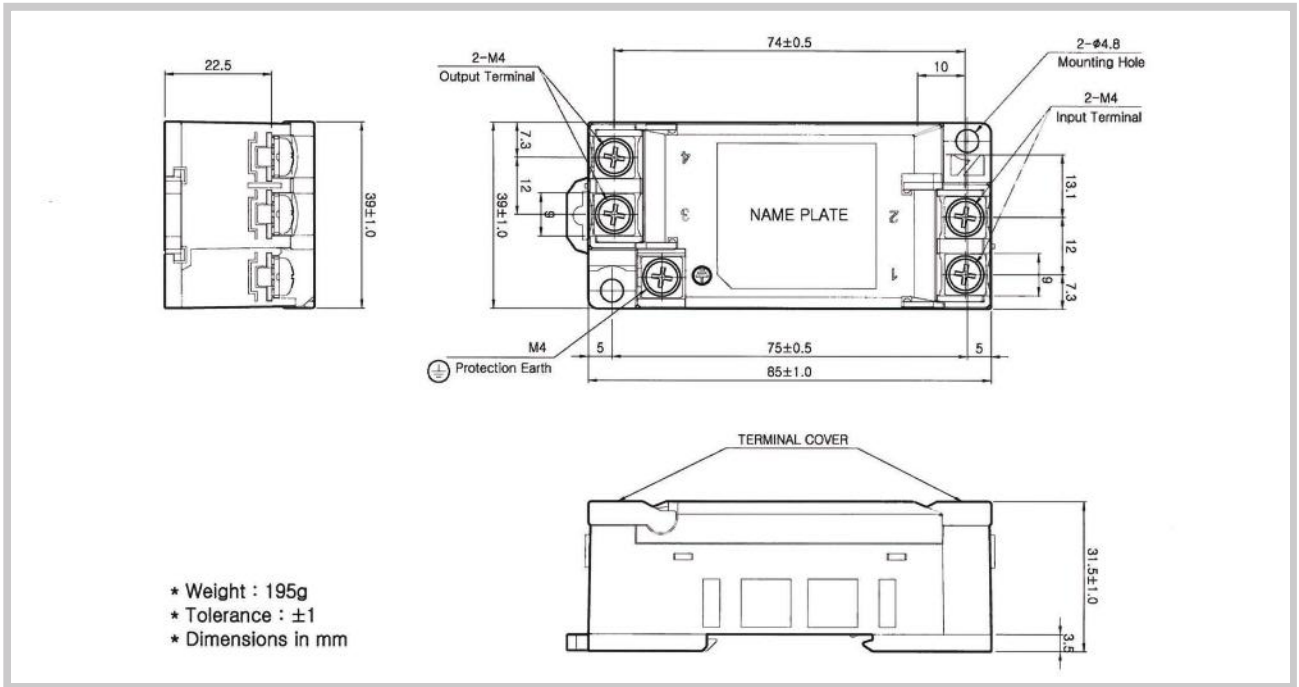




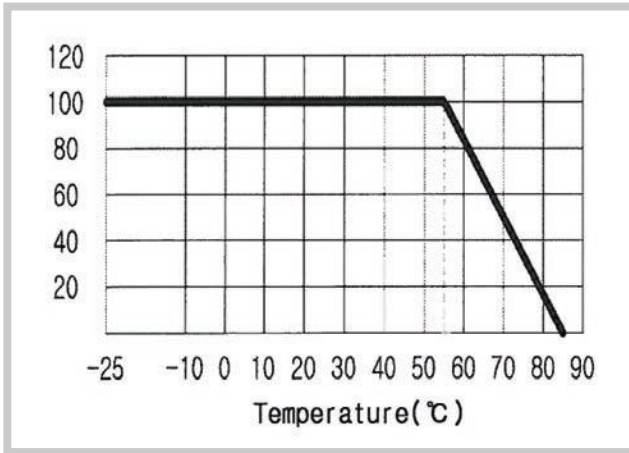
## Feature

- Single Phase
- High Attenuation Characteristics (150KHz ~ 1MHz)
- 1-Stage Filter
- Low Leakage / Safety Cover
- Easy Push-Down Terminal Block
- Din Rail Mountable

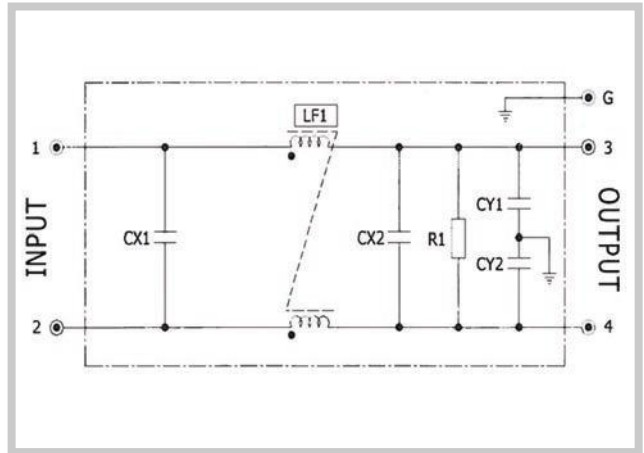


MODEL	Rated Voltage (AC/DC) (50Hz/60Hz)	Rated Current	Laekage Current (60Hz)	Naximum Air Temperrature	Operating Temperature
ENS-2006	250V MAX	6A	1.0mA Max	55°C Max	-25°C ~+85°C
ENS-2010	250V MAX	10A	1.0mA Max	55°C Max	-25°C ~+85°C
ENS-2016	250V MAX	16A	1.0mA Max	55°C Max	-25°C ~+85°C
ENS-2020	250V MAX	20A	1.0mA Max	55°C Max	-25°C ~+85°C

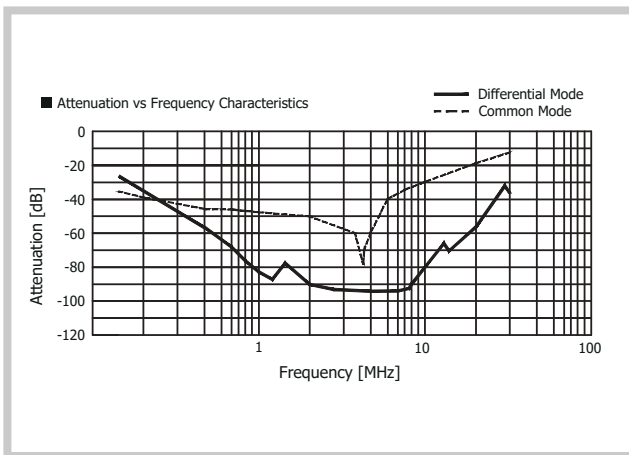
## ENS-Series Derating Curve



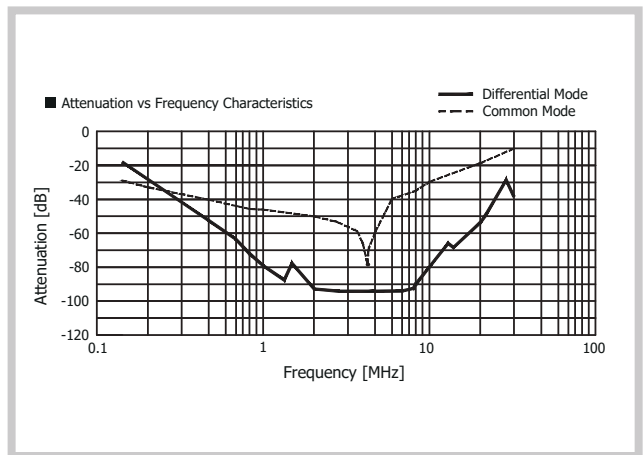
## ENS-Series Circuit Diagram



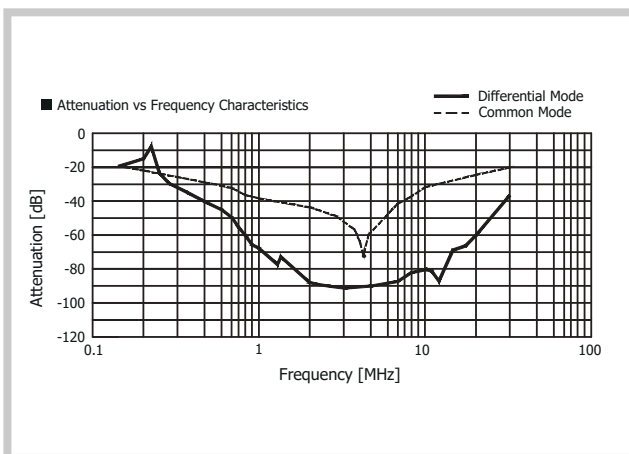
## ENS-2006 Attenuation Characteristics



## ENS-2010 Attenuation Characteristics



## ENS-2016 Attenuation Characteristics



## ENS-2020 Attenuation Characteristics

