



- Wide Input voltage range (free voltage or auto selection)
- Over Voltage Protection (except for 15W)
- Over Current Protection
- 4 Year Warranty

Single Output

CSF 15-24

① Series name ② Total output wattage ③ Output voltage

① ② ③

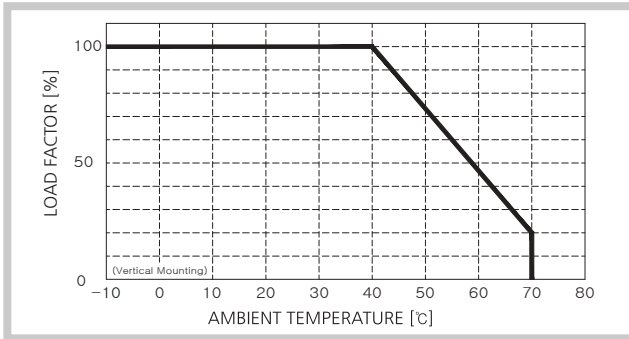
NEW!

MODEL	CSF15	CSF30	CSF50	CSF75	CSF100	CSF150	CSF300	CSF600	CSF1000	CSF1500	
INPUT VOLTAGE, FREQUENCY	AC100-240V(AC85~264 or DC120~370V), 50/60Hz Universal Input				*1		AC100-240V(AC85~264V or DC120-370V), 50/60Hz Universal Input				
OUTPUT VOLTAGE/ CURRENT	3.3V	3A	6A	10A	15A	20A	30A	55A	100A	-	-
	5V	3A	6A	10A	15A	20A	30A	55A	100A	-	240A
	9V	1.7A	3.4A	5.6A	8.4A	11A	16.7A	33.3A	66.5A	-	150A
	12V	1.3A	2.5A	4.3A	6.4A	8.4A	12.5A	26A	50A	60A	125A
	15V	1A	2A	3.5A	5A	6.7A	10A	21A	40A	50A	100A
	24V	0.7A	1.3A	2.2A	3.2A	4.2A	6.3A	13A	25A	40A	63A
	48V	-	0.63A	1.1A	-	2.1A	3.2A	6.7A	12.5A	21A	32A
INPUT CURRENT [A] (Io=100%)	110V	0.4	0.8	0.9	2.0	2.0	3.6	3.6	7.2	12	16
	220V	0.2	0.4	0.6	0.8	1.2	2.0	1.8	3.6	6	7.8
EFFICIENCY [%]	110V	77 typ	80 typ	78 typ	84 typ	83 typ	84 typ	84 typ	81 typ	88 typ	86 typ
	220V	78 typ	80 typ	75 typ	80 typ	86 typ	88 typ	84 typ	84 typ	88 typ	90 typ
POWER FACTOR	110V	-	-	-	-	-	-	0.98	0.98	0.98	0.98
	220V	-	-	-	-	-	-	0.95	0.93	0.95	0.95
OPERATING TEMP AND HUMID	-10~+70°C (Required Derating), 20~90% RH (Non Condensing)										
SAFETY REGULATION	UL, C-UL, CE, CB										
SIZE(W×H×D/mm)	82×28×65	82×31.5×84	82×31.5×120	82×35.5×135	82×36.5×165	82×45×175	102×52×192	120×52×190	127×41×295	126.5×82×280	
WEIGHT(g)	200	210	300	380	400	560	980	2000	1500	3800	

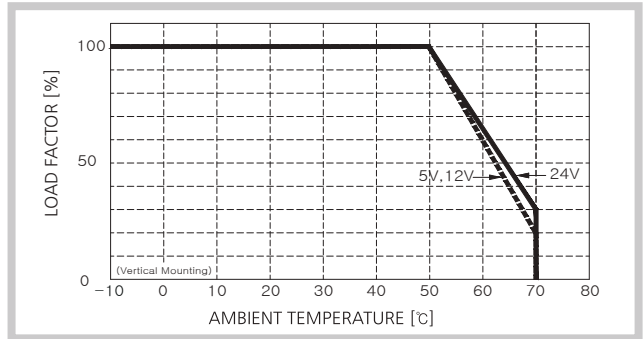
*1 AC100-120V/200~240V(AC90~132V/AC180~264V or DC240~370V), Auto selectable), 50/60Hz
 * Input voltage of CSF1000 is "AC100~240V(AC85~264 or DC120~370V), 50/60Hz(47~440Hz) UUniversal Input"
 * Efficiency is based on a 24V reference.
 * More detail specification, visit ORIENT Electronics website and find CSF series

Output Derating Curve

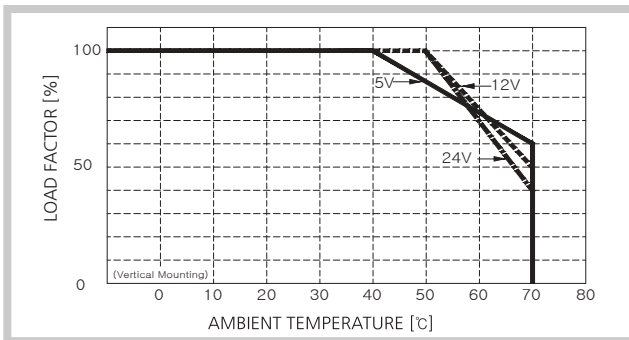
CSF15, 30-Series



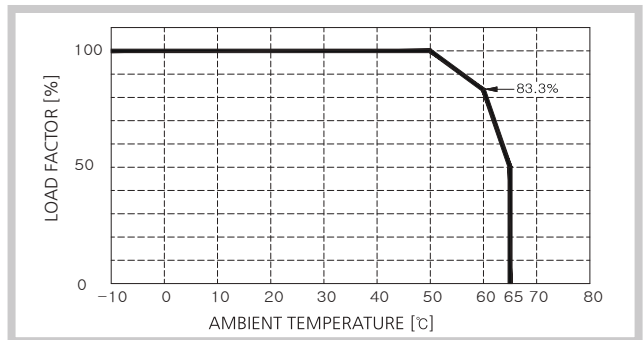
CSF50, 75, 100-Series



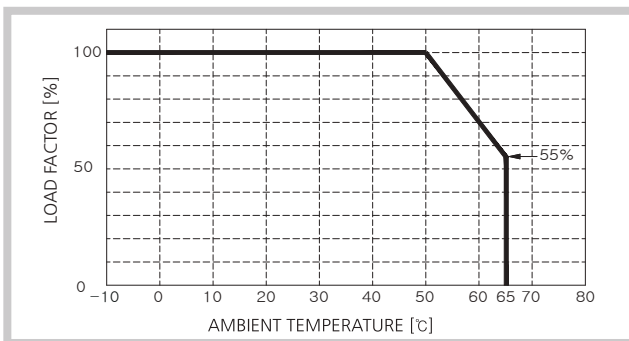
CSF150-Series



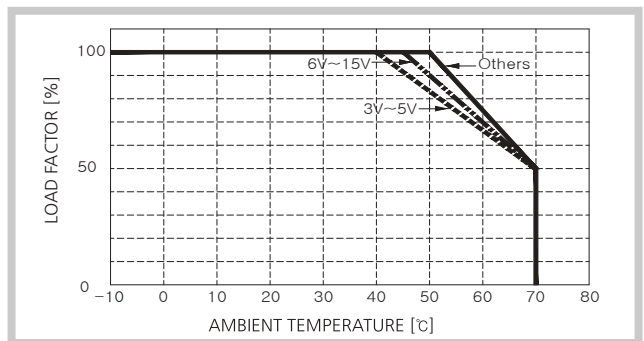
CSF300-Series



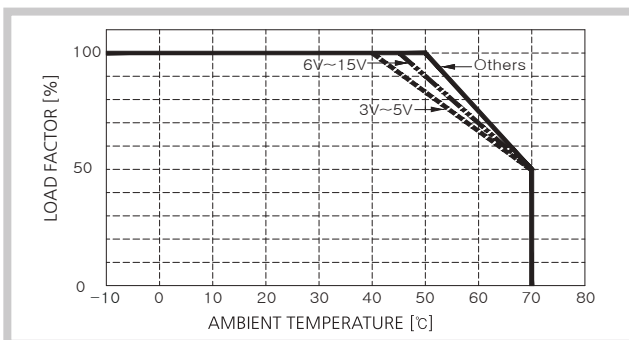
CSF600-Series



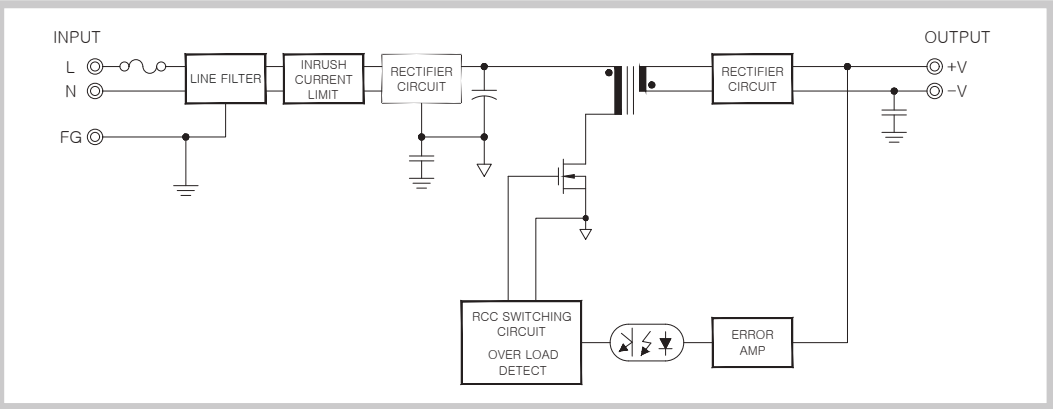
CSF1000-Series



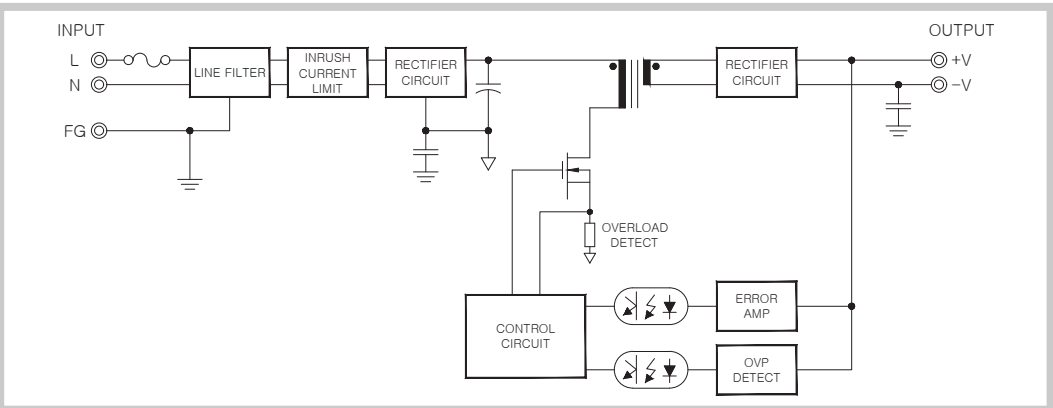
CSF1500-Series



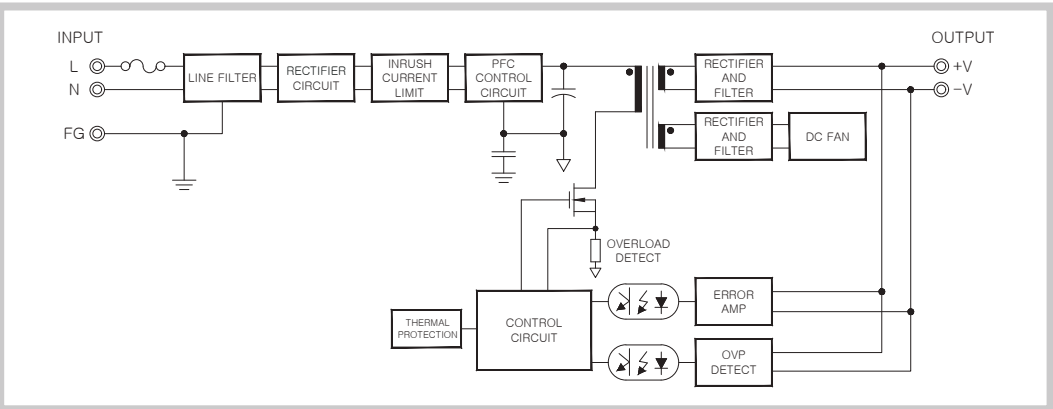
CSF 15
Series
Block Diagram



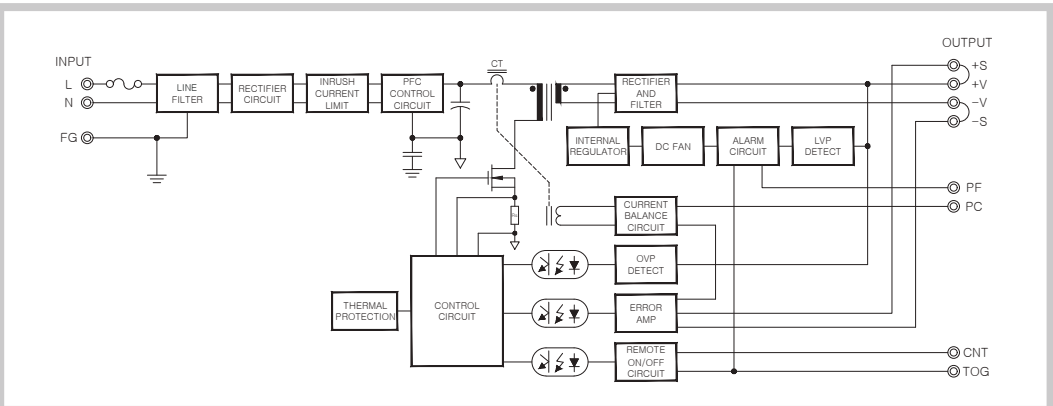
CSF 30
CSF 50
CSF 75
CSF 100
CSF 150
Series
Block Diagram



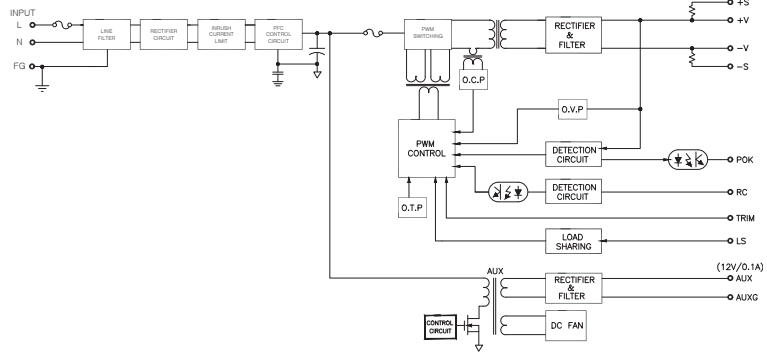
CSF 300
Series
Block Diagram



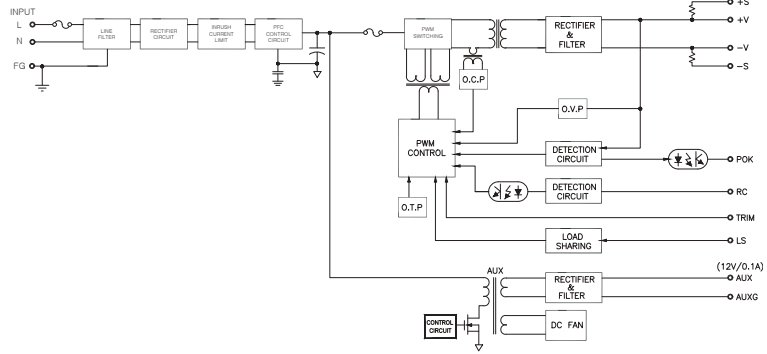
CSF 600
Series
Block Diagram



CSF 1000 Series Block Diagram

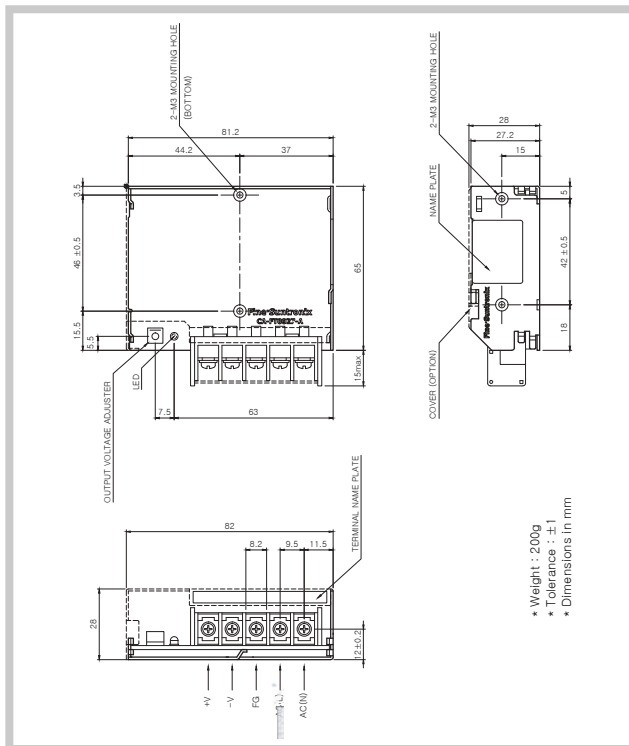


CSF 1500 Series Block Diagram

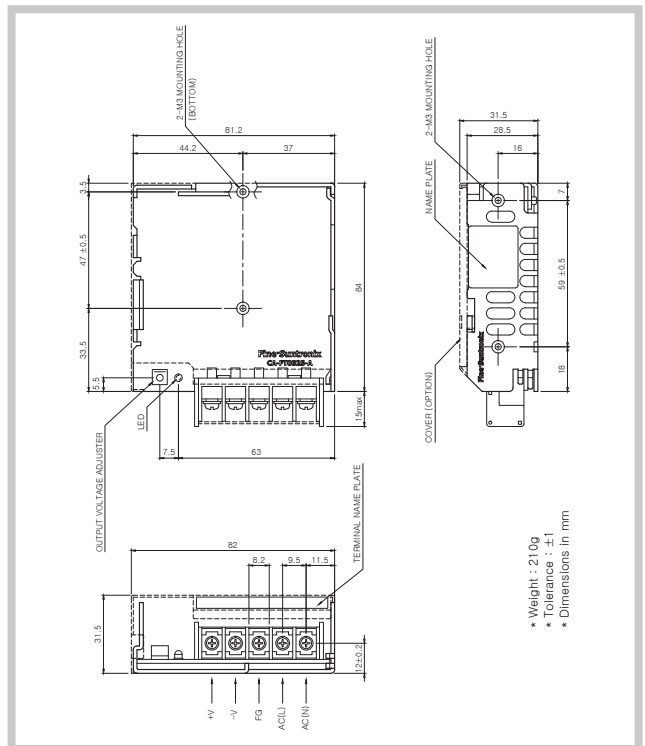


Dimension

CSF15-Series



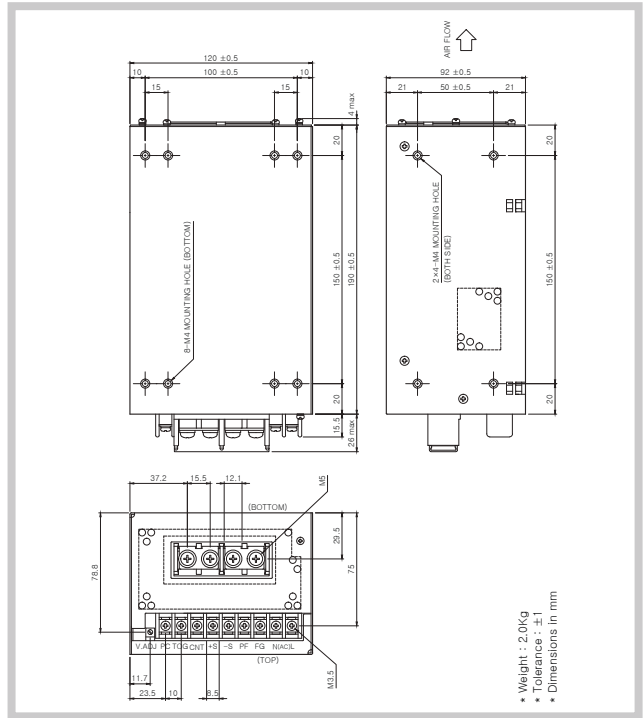
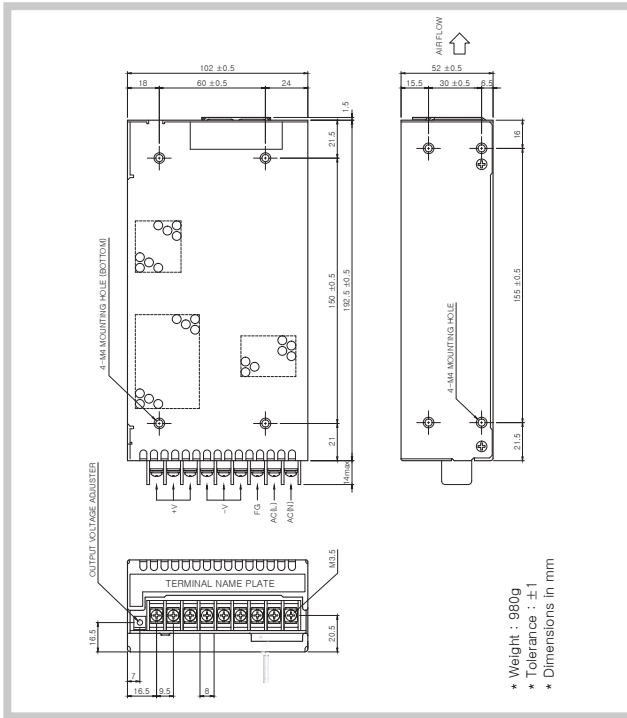
CSF30-Series(CSF15-Dual, Triple-Series)



Dimension

CSF300-Series

CSF600-Series



Dimension

CSF1000-Series

CSF1500-Series

