



TMI-50

Electronic room thermostat

One-stage electronic room thermostat for controlling heating or cooling.

- ✓ 230 V AC supply voltage
- ✓ Change-over contact for control of heating or cooling
- ✓ Contact rating 16 A, 230 V
- ✓ Input for external sensor
- ✓ Settable hysteresis, 1...10 K
- ✓ Lockable setpoint wheel, 20...50°C

Function

TMI-50 is an electronic room thermostat for wall mounting. The thermostat has settable hysteresis and a change-over relay output. It uses 230 V AC supply voltage.

Applications

TMI-50 is suitable for controlling cooling coils, fan heaters, fans, DX cooling, solenoid valves, fan-coil units etc. It is especially well suited for control of ventilation fans in elevator motor rooms, as well as in transformer rooms where adjustable hysteresis is often required.

External sensor

An external sensor from Regin's NTC-series can be connected if the thermostat cannot be mounted at the desired location.

Visit Regin's website at www.regincontrols.com for a suitable sensor

Setpoint

The setpoint is set using the wheel on the side of the thermostat. In order to prevent tampering, the setpoint wheel can be locked by means of a locking screw under the cover.

Mounting

The thermostat has a hinged lid which is opened by pressing the locking torque at the bottom using a screwdriver.

The thermostat has 60 mm screw pockets to enable mounting over an inset wall socket.

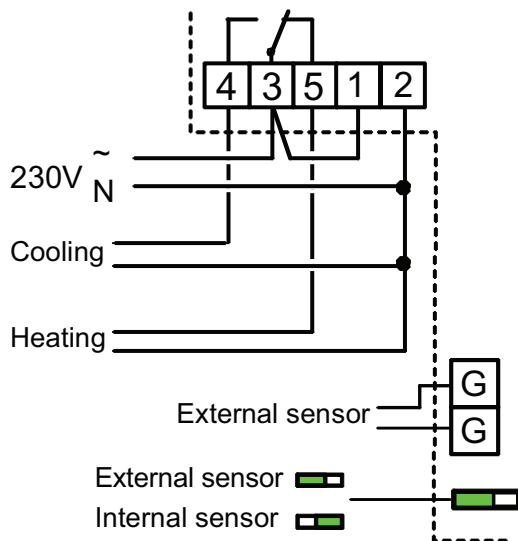
Technical data

Supply voltage	230 V AC $\pm 15\%$, 50...60 Hz
Power consumption	1 W
Ambient temperature	0...50°C
Storage temperature	-40...+50°C
Ambient humidity	Max. 90 % RH
Protection class	IP30
Input External sensor	Only for Regin's NTC sensors (20...50°C). See Regin's website for choice of sensors.
Output Relay	One change-over contact, 230 V AC, 16 A, potential-free
Settings Setpoint Hysteresis	20...50°C 1...10 K
Color	Signal white RAL 9003

CE

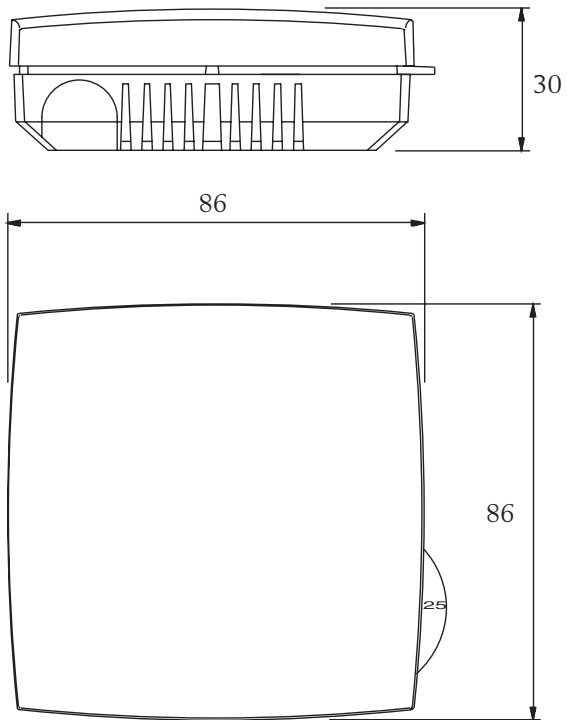
This product carries the CE-mark. More information is available at www.regincontrols.com.

Wiring



NB The thermostat can control either cooling or heating, but not both simultaneously.

Dimensions



Measurements in mm unless otherwise specified.

Product documentation

The product documentation can be downloaded from www.regincontrols.com