

## Heavy Duty pressure gauges with diaphragm system

Nominal sizes ND 60 and ND 80

Connection position bottom, radial or back, central



Model P1571, P1582



Model P1580

### Description

The Heavy Duty pressure gauges with diaphragm system are particularly suitable for measuring jobs where strong mechanical vibrations or pressure pulsed may arise. They comply with the accident prevention regulation on compressors (VGB 16) and thus fulfil the safety requirements of EN 837-3.

The annular fitted measuring element (diaphragm) is considerably less sensitive to pressure pulsed, vibrations and shock than other measuring elements. Furthermore, diaphragm systems have a relatively large actuating force to activate the pressure display even at low pressures.

The gauges are designed and manufactured on the basis of a modular construction system, associated with increased reliability and extended service life.

Heavy Duty pressure gauges with diaphragm systems are thus products which are designed especially for use in harsh conditions.

### Features

- o High reliability and long service life due to modular construction system
- o Insensitive to pressure pulses and mechanical vibrations
- o High level of shock resistance
- o Complies with safety requirements of EN 837-3
- o Overload capacity, 1.3x
- o Protection IP 54
- o Stainless steel casing

### Measuring ranges

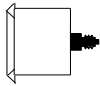
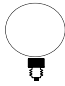
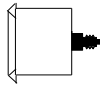
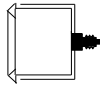
0 ... 1 bar to 0 ... 40 bar

### Applications

Compressors, turbo chargers, hydraulics, pumps, automotive engineering and general mechanical engineering

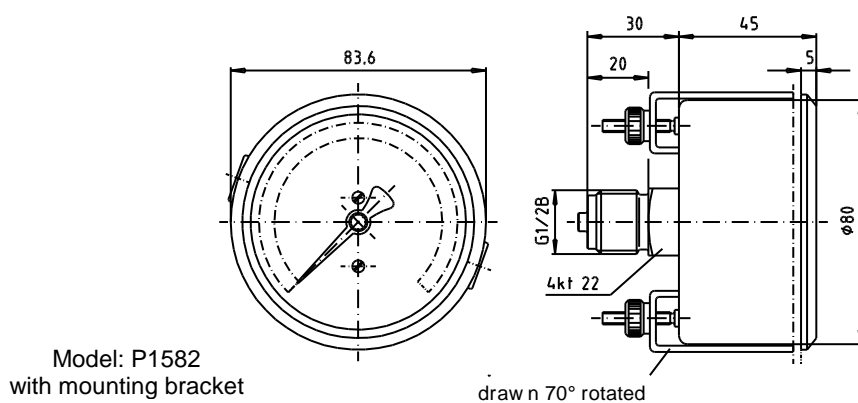
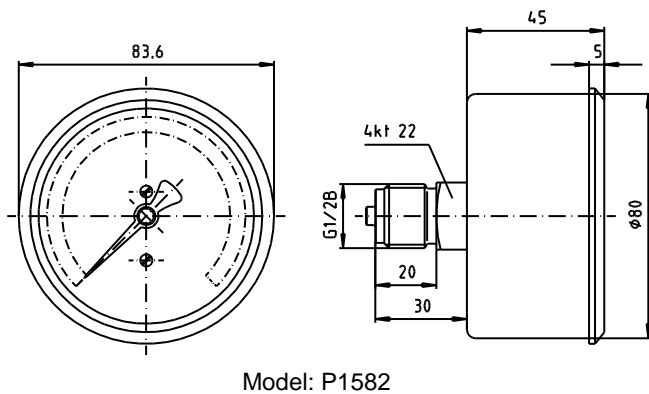
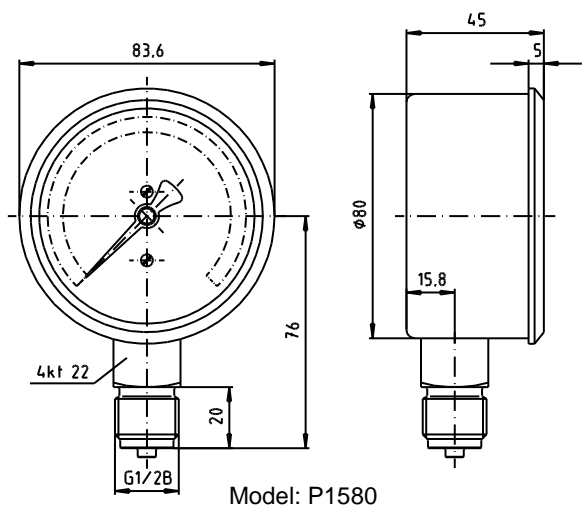
Models: P1571, P1580, P1582

## Technical data

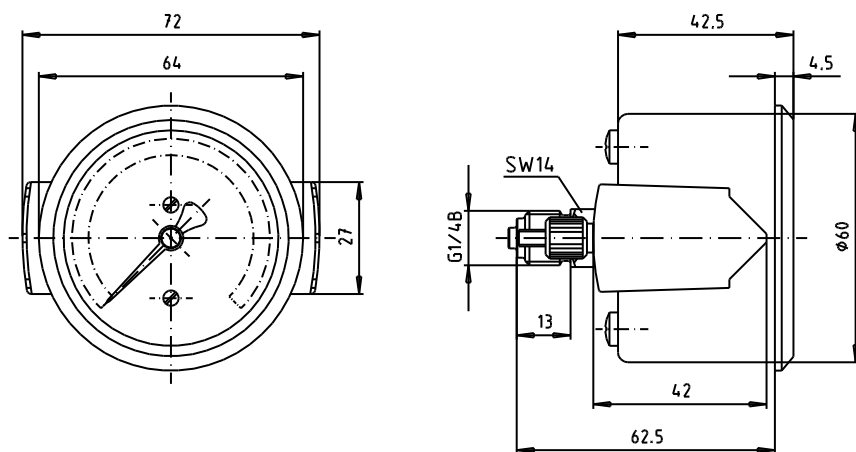
| Models              | P1571   | P1580   | P1582   |  | Options   |                          |
|---------------------|---|---|---|--|---|--------------------------|
| Nominal size        | 60  |   | 80  |  |   |                          |
| Symbol              |    |  |  |  |   |                          |
| Accuracy class      | 2.5 to EN 837-3   |   |   |  |   |                          |
| Ranges              | 0...1 bar to 0...40 bar<br>negative or positive or negative and positive gauge pressure   |   |   |  |   |                          |
| Application         | Constant load: up to full scale value<br>Alternating load: up to 0.9 x full scale value<br>short-time: overload capacity 1.3 xh |   |   |  |   |                          |
| Case                | Stainless steel 1.4301  |   |   |  |   |                          |
| Bezel               | Triangular bezel,<br>brass chrome-plated  | Triangular bezel, stainless steel 1.4301  |   |  | polished, black                                 |                          |
| Mounting bracket    | steel, galvanized   | without   | without   | steel, galvanized  |   |                          |
| Window              | Plastic, trogamid <sup>®</sup>  |   |   |  | Laminated safety glass,<br>PMMA (acrylic glass) |                          |
| Dial                | Aluminium, white; scale and imprint black   |   |   |  | Dual scale                                      |                          |
| Pointer             | Aluminium, black  |   |   |  | Aluminium, white                                |                          |
| Movement            | CuZn alloy  |   |   |  |   |                          |
| Measuring element   | Copper alloy  |   |   |  |   |                          |
| Pressure connection | Copper alloy  |   |   |  |   |                          |
| - position          | back  | radial  | back  |  |   |                          |
| - thread            | central<br>G 1/4 B  | bottom  | central<br>G 1/2 B  |  |   |                          |
|                     |   |   |   |  |   | Other threads on request |
| Temperatures        | Tmin. -20°C, Tmax. 80°C   |   |   |  |   |                          |
| - Media             | Tmin. -25°C, Tmax. 60°C   |   |   |  |   |                          |
| - Ambient           |   |   |   |  |   |                          |
| Temperature drift   | 0.5 %/10K if deviation from normal temperature 20°C   |   |   |  |   |                          |
| Protection          | IP 54 to EN 60 529/IEC 529  |   |   |  | IP 65 (only for model P1582)                    |                          |
| Throttle            | without   |   |   |  | Brass / ø 0.3 ; ø 0.4 ; ø 0.8                   |                          |
| Weight approx.      | 0.380 kg  | 0.470 kg  | 0.550 kg  |  |   |                          |

Trogamid<sup>®</sup> is the the registered trade mark of the company Evonik

## Dimensions



## Model P1571



Modifications reserved