

Standard and Heavy duty pressure gauges with capsule element

Nominal sizes ND 50 and 63

Connection position bottom, radial or back, central



Standard



Heavy Duty

Description

The pressure gauges with capsule element are used to measure small positive / negative overpressures in gaseous media. The capsule element system consists of two capsule element halves soldered together. When subjected to pressure, the capsule element moves a predetermined distance. This travel is converted by a movement into the rotary motion of the pointer.

The gauges can be supplied with cover ring, triangular front ring or mounting flange and panel mounting clamp as required for the installation conditions. The casings are available in steel black finish, steel or stainless steel.

Features

Standard pressure gauges:

- o High reliability and long service life
- o Modular system
- o Cost effective solution
- o Accuracy class 2.5
- o Plastic case

Heavy duty pressure gauges:

- o High reliability and long service life
- o Zero adjustment
- o Accuracy class 1.6
- o Casing, steel
- o Copper alloy measuring system

Measuring ranges

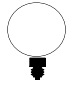
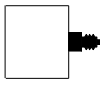
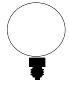
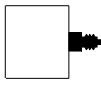
0...40 mbar up to 0...600 mbar

Applications

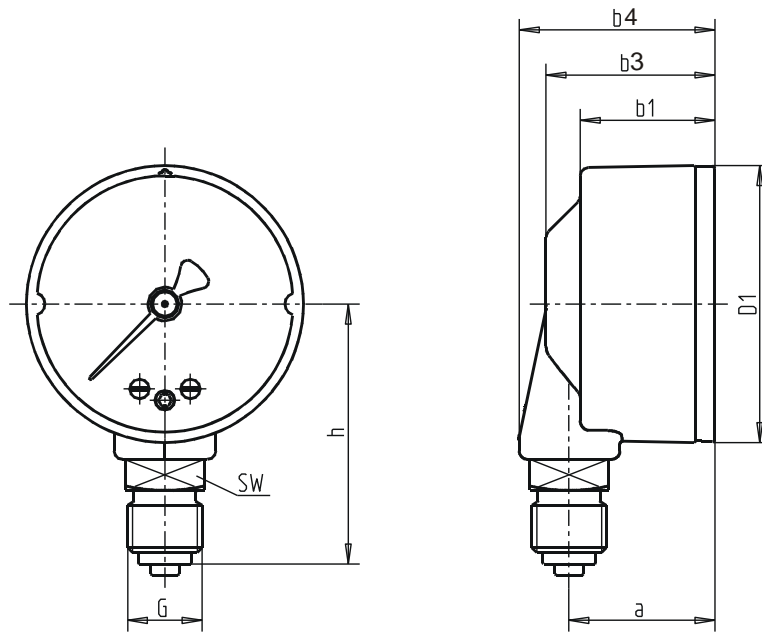
Medical technology; laboratory applications;
Filter state measurement; furnace monitoring;
exhaust gas measurements; vacuum measurements;
burner monitoring; gas generation; air-conditioning

Models: P1547, P1548, P1549, P1550

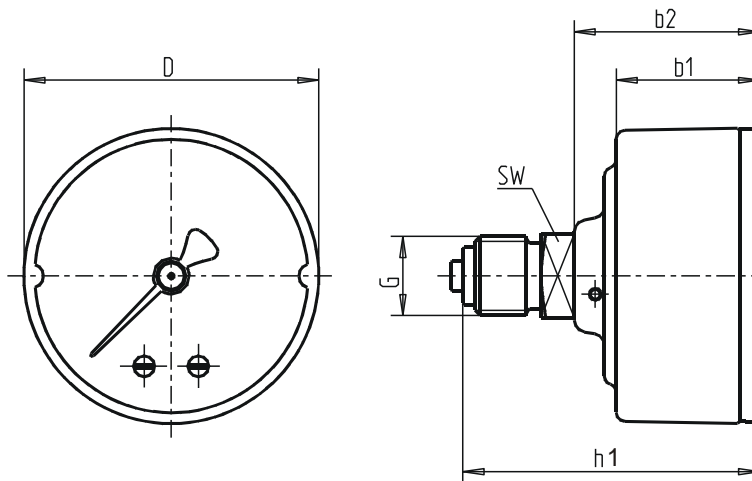
Technical data

Model	P1547	P1548	P1549	P1550	Options
Nominal size	50		63		
Symbol					
Accuracy class	2.5 acc. to EN 837-3				1.6 acc. to EN 837-3
Ranges	0...40 mbar up to 0...600 mbar negative or positive or negative and positive overpressure				
Application	Constant load: up to full scale value Alternating load: up to 0,9x full scale value				
Case	Plastic, black				Steel, black
Bezel	none				Steel, black
Window	Plexiglass				
Dial	Aluminium white, scale and imprint black				Dual scale
Pointer	Aluminium, black				
Movement	CuZn-alloy				Zero adjustment
Measuring element	Copper alloy				
Gasket	NBR (Nitril – Coutchouk)				
Connection - position	CuZn-alloy radial		radial		Other threads on request
- thread	bottom G 1/4 B		bottom G 1/4 B		
Temperatures - Medium - Ambient	Tmin. -20°C, Tmax. 60°C Tmin. -20°C, Tmax. 60°C				
Temperature drift	0,6% / 10K if deviation from normal temperature 20°C				
Protection	IP 53 acc. to EN 60 529/IEC 529				
Orifice	without				ø 0,3 ; ø 0,4; ø 0,8
Weight approx.	0,080 kg	0,080 kg	0,100 kg	0,130 kg	

Dimensions



Model: P1547, P1549



Model: P1548, P1550

Model	Dimensions in mm										
	ND	$a \pm 0,5$	$b1 \pm 1$	$b2 \pm 1$	$b3 \pm 1$	$b4 \pm 1$	$D \pm 1$	G	$h \pm 1$	$h1 \pm 1$	SW
P1547, P1548	50	26	24	31	30	35	49	G 1/4 B	48	51,5	14
P1549, P1550	63	26,5	24	31	29,5	34,5	62	G 1/4 B	48	51,5	14

Modifications reserved

DE 209 c

p. 3 / 3