

Temperature – pressure measuring instrument in the standard program for domestic engineering

Nominal size NG 63 and 80

Connection position or back, central



Description

The temperature – pressure measuring instruments of the standard programs can be used anywhere where liquid or gaseous materials to be measured do not attack copper alloys, do not crystallise and are not highly viscous.

The temperatures – pressure measuring instruments meet the general technical recommendations and observe both application requirements and those based standards.

In one instrument there is a measuring system for both temperature and pressure which makes for a low cost installation.

Features

- o Pressure and temperature display
- o With automatic valve
- o Measuring system using copper alloy
- o Reduction of the fitting costs

Measuring Ranges

Pressure: 0 4 bar up to 0 10 bar


Temperature: 20 ... 120 °C

Applications

Domestic engineering,
Heating systems,
Solar technology,
District heating systems

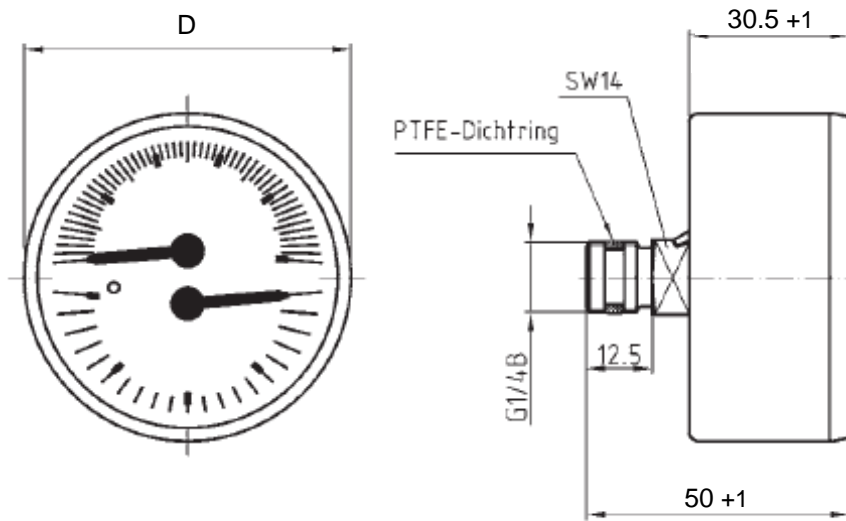
Model: P1496, P1497

Technical data

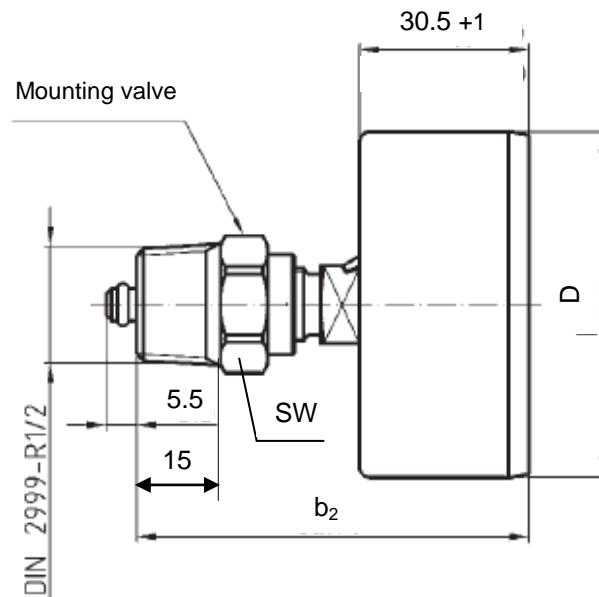
Models	P1496	P1497
Nominal size	63	80
Type		
Class	2.5	
Display range: Pressure	0 ... 4 up to 0 ... 10 bar	
Temperature	20°C ... 120°C	
Application	Constant load: 3/4 x full scale value Alternating load: 2/3 x full scale value Short-time: full scale value	
Case	Plastic, black or steel, black	
Window	Plastic, clipped on and with adjustable red marking indicator	
Dial	Plastic, white, scale black; deposit background red: Temperature; blue: Pressure	
Pointer	Pressure: plastic, black, Thermometer: plastic, red	
Movement	CuZn-alloy	
Elastic pressure elements	Pressure: Bourdon tube, Cu alloy Temperature: Bi metallic strip	
Sensors	CuZn-alloy	
Connection - position - thread	CuZn-alloy back, central G1/4 B / with valve R 1/2 ISO 7-1 (conical)	
Dipping casing	CuZn- alloy with automatic valve	
Temperatures - Medium ¹⁾ - Ambient	T _{max} 120 °C T _{min} -20°C , T _{max.} 60°C	
Temperature drift	Errors on deviation from normal temperature 20 ° C at the measurement system: with Temperature increase or decrease approximately ± 0.4% / 10K on the respective scale value	
Protection	IP 32 to EN 60529	
Weight approx.	0.18 kg	0.30 kg

¹⁾ Temperature of material to be measured maximum full scale deflection of instrument

Dimensions



With mounting valve:



Models	Dimensions in mm		
	D	b ₂	SW
P1496	63	70	22
P1497	80	72	22

Subject to technical changes