

## Manual pressure pumps

up to 6000 bar



### Description

Manual pressure pumps are portable pressure generators which are used for measuring, testing and calibration purposes. Due to their compact dimensions and the simple handling they are suitable for mobile applications. When used with a DKD calibrated pressure transducer the system can be used for monitoring and testing pressure sensors, transducers or gauges according to DIN ISO 9000.

Pressure up to 6000 bar is generated with a hand operated spindle. The spindle runs inside the cylinder which leads to a better handling in service applications.

Pumps for pressure ranges from 0 ... 250 bar have one cylinder for the pressure generation. Pumps with pressure ranges from 0...1000 up to 0...6000 bar generate the pressure with two cylinders, one for the lower pressure (0...250 up to 0...400 bar) and one for the high pressure ranges (250 .. 1000 bar up to 400 .. 6000 bar).

### Features

- Pressure ranges:
- 250 bar
  - 1000 bar
  - 3000 bar
  - 4000 bar
  - 5000 bar
  - 6000 bar

Precise adjustment of the pressure by varying the volume of the distribution block (pumps to 1000 bar)

Easy adjustment with two cylinders – low pressure side and high pressure side (pumps from 1000)

Compact design - Suitable for mobile applications

### Applications

On site monitoring of pressure measuring instruments

Calibration

Maintenance

### Accessories

Pressure Sensors or gauges

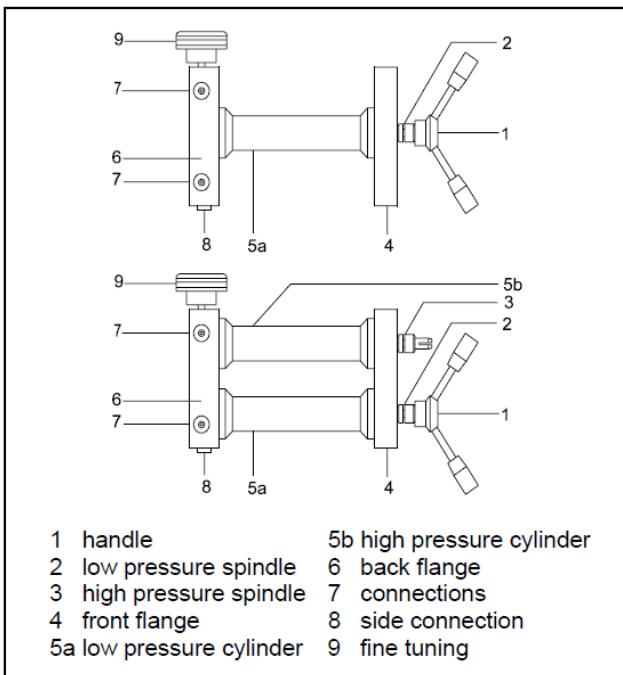
Quick coupling and adaptors

**Models : C1360, C1361, C1363**

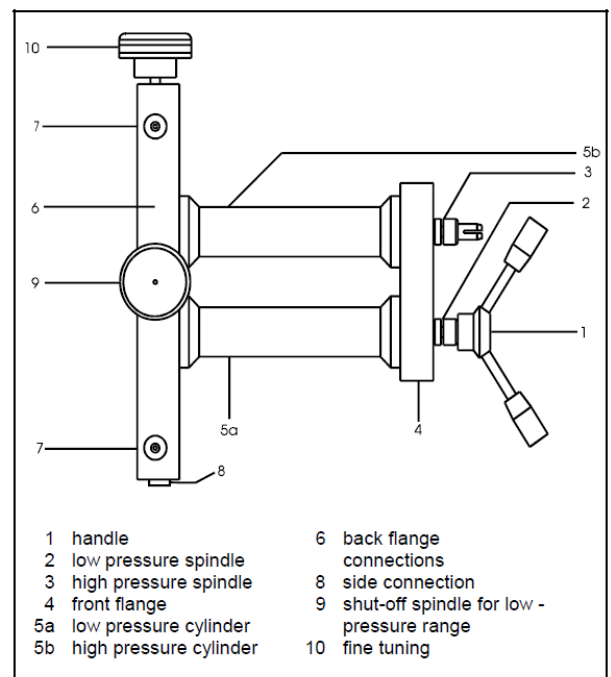
## Technical data

Model	C1360	C1361	C1363				Options
Principle	One piston	Double piston, handle changeable					
Pressure range	0..250 bar	0..1000 bar	0..3000 bar	0..4000 bar	0..5000 bar	0..6000 bar	
Pressure range low pressure side	0..250 bar	0..250 bar	0..300 bar	0..400 bar			
Pressure range high pressure side	-	250..1000 bar	300..3000 bar	400..4000 bar	400..5000 bar	400..6000 bar	
Overload limit	300 bar	1300 bar	3300 bar	4400 bar	5500 bar	6600 bar	
Fine adjustment	Wheel for adjusting the volume		none				
Pressure fluid	Hydraulic oil Univiss J13					Water Braking fluid Skydrol on request	
Connections	3 x G½ female thread according DIN 16228		3 x M16 x1,5 LH female threads				
Dimensions [mm] (LxBxH)	250x150x96		400x370x110				
Weight	5.9 kg	7.8 kg	13 kg			16 kg	

**Figure C1360 und C1361  
(0 .. 250 bar, 0 .. 1000 bar)**



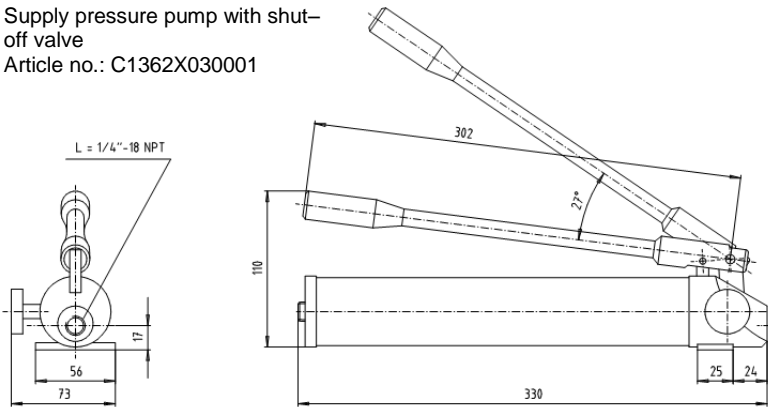
**Figure C1363  
(0 .. 3000 bar to 0 .. 6000 bar)**



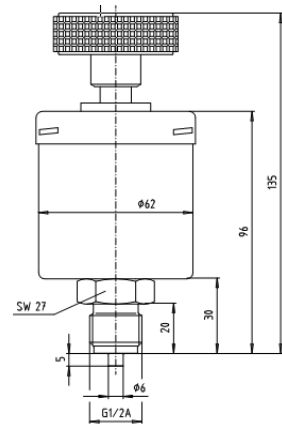
## Accessories

### For filling for the models C1360 / C1361

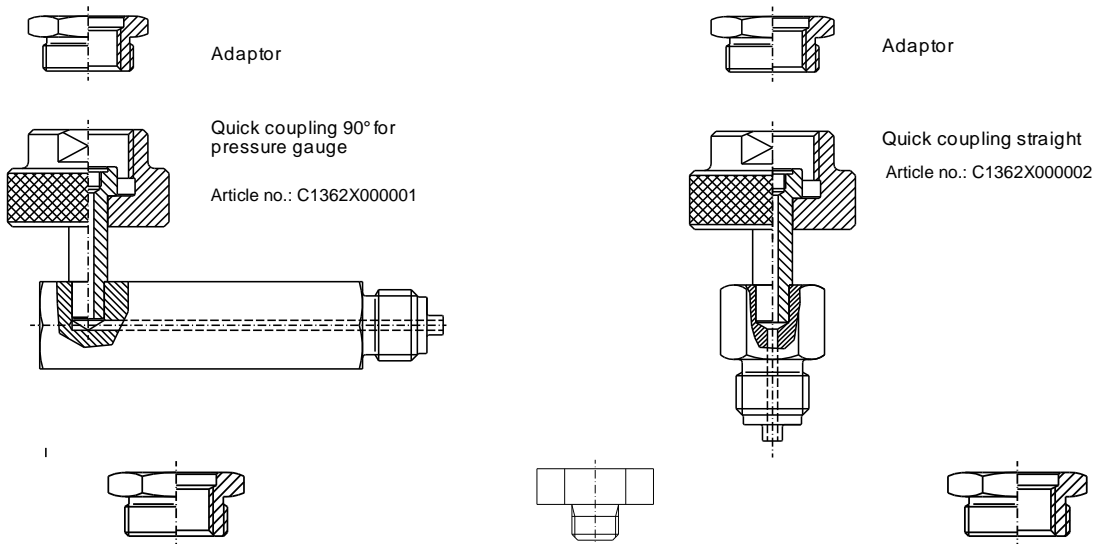
Supply pressure pump with shut-off valve  
Article no.: C1362X030001



Separate tank for filling  
Article no.: C1362X030002



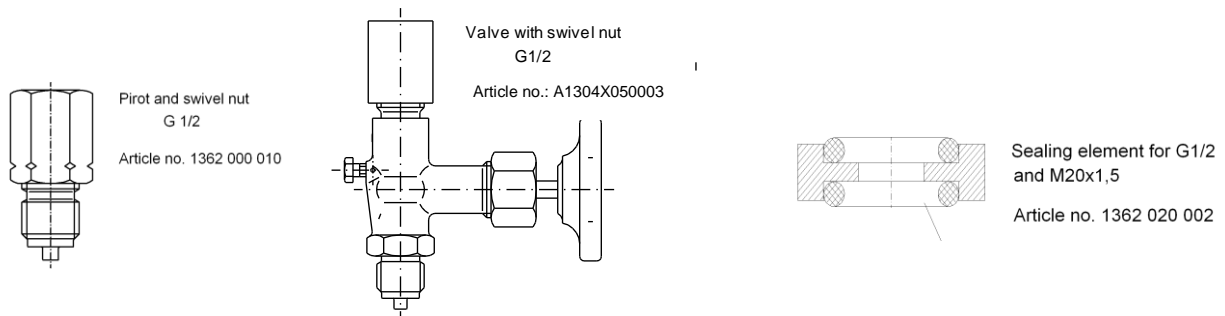
### Connections for models C1360 / C1361



<p><b>Adaptor:</b> G1/2 Article no.: C1362X010001 M20x1,5 Article no.: C1362X010002</p>	<p><b>Intermediate adaptor:</b> Article no.: C1362X020001 Must be used with Adaptors <math>\leq</math> G1/4</p>	<p><b>Adaptor:</b> G1/4 Article no.: C1362X010004 G1/8 Article no.: C1362X010003 M16 x 1.5 Article no.: C1362X010005</p>
---	---	--

### Connections for model C1360

( max. PN 400 bar )



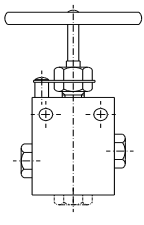
Technische Änderungen vorbehalten

## Accessories for models C1363

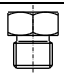
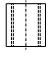

Special hydraulic oil Univiss J13 / 1 litre

C1350X150008

### High pressure valves, table 1

	Connection	Thread	PN bar	Material	Article-no.
	2 -way	9/16"-18 UNF female	2100	stainless steel	A1304X075001
			4200		A1304X075002
			6700		A1304X075003
	3 - way		2100		A1304X075030
			4200		A1304X075031
			6700		A1304X075032

### Accessories for high pressure valves, table 2

	Article	Thread	PN bar	Material	Article-no.
	gland	9/16"-18 UNF	4200	Stainless steel	A1304X076001
		M16 x1.5			A1304X076002
		9/16"-18 UNF			6700
	Collar	9/16"-18 UNF	4200		A1304X076030
		M16 x 1.5			A1304X076031
		9/16"-18 UNF			6700
	plug	9/16"-18 UNF	4200		A1304X076060
		9/16"-18 UNF	6700		A1304X076061