

**THERMSCAN**

SAFER, FASTER & SMARTER

**TOUCH-FREE**

**FACIAL RECOGNITION  
TERMINAL**

**THERMSCAN-IS**



ThermScan-IS Face Recognition Terminal Is A Kind Of Access Control Device Integrated With Temperature Screening Function. It Can Fast Taking Skin Surface Temperature And Upload Abnormal Temperature Event To The Center, Which Can Be Widely Applied In Multiple Scenarios, Such As Enterprises, Stations, Dwellings, Factories, Schools, Campus And So On.

---

## **SAFE, SMART & COST EFFECTIVE** For Employees

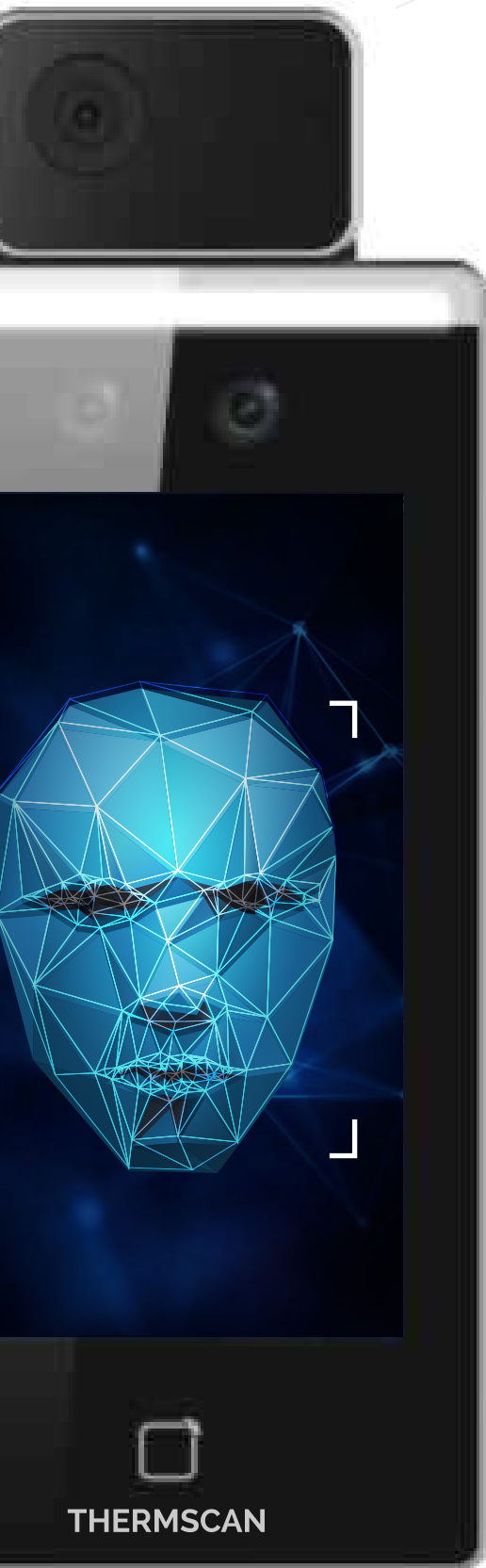
- Attendance Machine & Health Monitor
- Fast & Non-contact Measurement
- Data Collection & Integration Capabilities
- Quick Attendance And Access At A Glance
- Wall Mount & Desktop Placement
- Achieving MITI Requirement

# AI THE WAY OF TOMORROW



Various **attendance and access control methods** have been in use for several years now. It all began with a written list of names on a sheet of paper. Nowadays biometric technology such as fingerprints are commonly in use.

Now, with the **development of face recognition technology**, access control and attendance have **entered a new era**. This contactless verification is **more sanitary and more convenient**, as users no longer need to worry about such things as carrying an ID card or opening a door when their hands are occupied.



# THERMSCAN

## Now Resolves All These Concerns With Facial Recognition Technology



### Fast & Accurate

Quick Recognition less than 0.2s



### Save Time & Cost

Easy To Maintain & Use



### Record & Track

Automatically Register & Record Information



### AI

AI Face Detection



### Reduce Risk

Non-contact Required



### Audio Alarm

Triggers voice prompt when detecting abnormal temperature

THERMSCAN

THERMSCAN



**Staffs/Visitors Coming**  
Staffs/ Visitor arrive at the office



**Registration**  
Staffs/Visitors make Registration



**Permission Grant**  
Staffs/Visitors are granted with access  
credentials via facial recognition



**Record Traceable**  
Historical staffs'/Visitors' records are  
aved and easy to trace

# 01

**SUPERB RECOGNITION  
UNDER ALL CONDITIONS**



### Better Accuracy

With deep learning algorithm, recognition accuracy increased 38%



### Enhanced Verification Speed

Verification duration less than 0.2s



### Recognition Under Low-light Situations

Perform well under low or even zero-light environments

# 02

**TOP LEVEL  
SECURITY**

### Dual-lens Designs Prevents Counterfeit



Visible-light Lens

Infrared Lens

# 03

EASY TO  
MANAGE & OPERATE

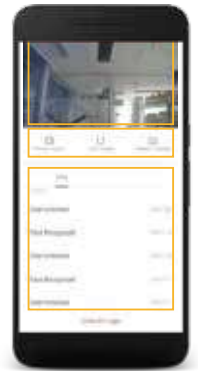


## Quick and Easy Registration with Various Access Methods

One-site photo taking  
Upload from management software  
USB Disk

## Remote Control via Mobile App

Live view of camera  
Remote access control  
Event logs



# 04

BETTER  
EXTENSIBILITY



With E-Home 5.0, managing attendance in multiple locations has become easier and more flexible.





## THERMSCAN-IS

### Face Recognition Terminal

- 2MP WDR Dual Camera
- 7-inch Touch Screen
- 6000 Face Capacity
- 6000 Card Capacity
- 100,000 Event Capacity
- TCP/IP, RS-485, USB Interface
- IP65
- Support IO Output & Wiegand Out





## Applications

Suitable for permanent staff which need to do attendance statistics, such as community, apartments, schools, small and medium-sized enterprises, etc. It should be installed to the indoor.

## Solution Value

1. Quick deployment: floor installation, electrical box, off-line testing
2. Multi check methods: thermometry, recognition + thermometry, human check + thermometry
3. Non-contact: up to 1.5m
4. 6000 face capacity, 6000 card capacity and 100,000 event capacity
5. Information binding: face captured picture + temperature information real-time recording
6. Support staff attendance management, flexible shift arrangement, attendance report automatically generated.



Management Platform



Wall Mount Installation



Turnstile Installation

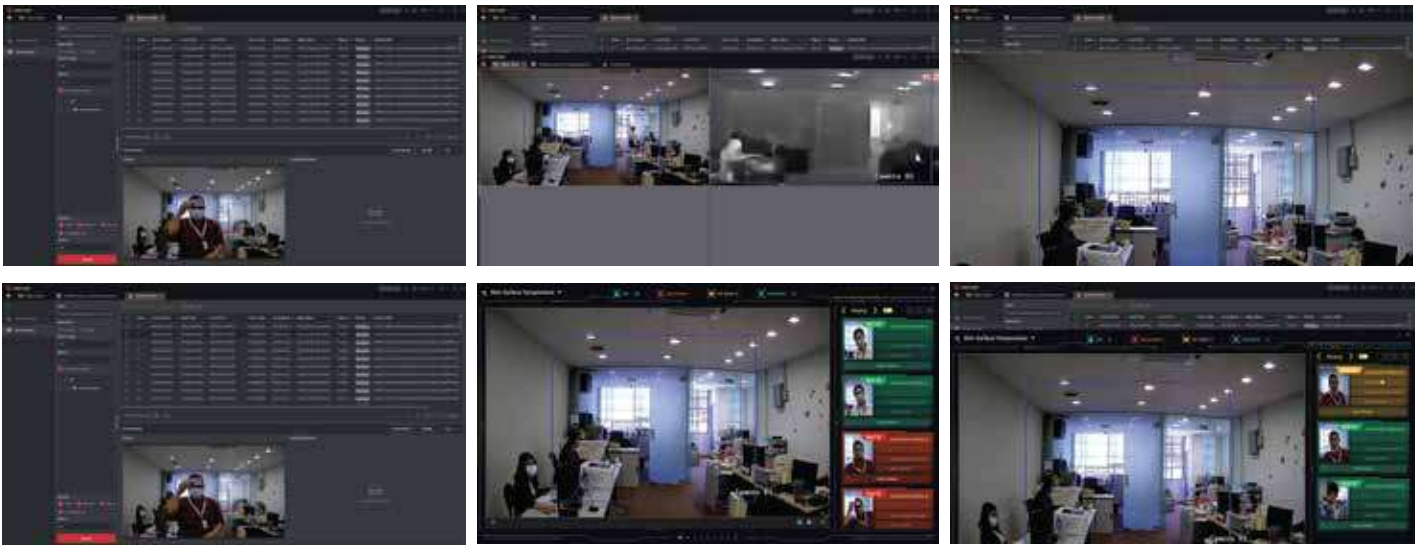


Ground Installation

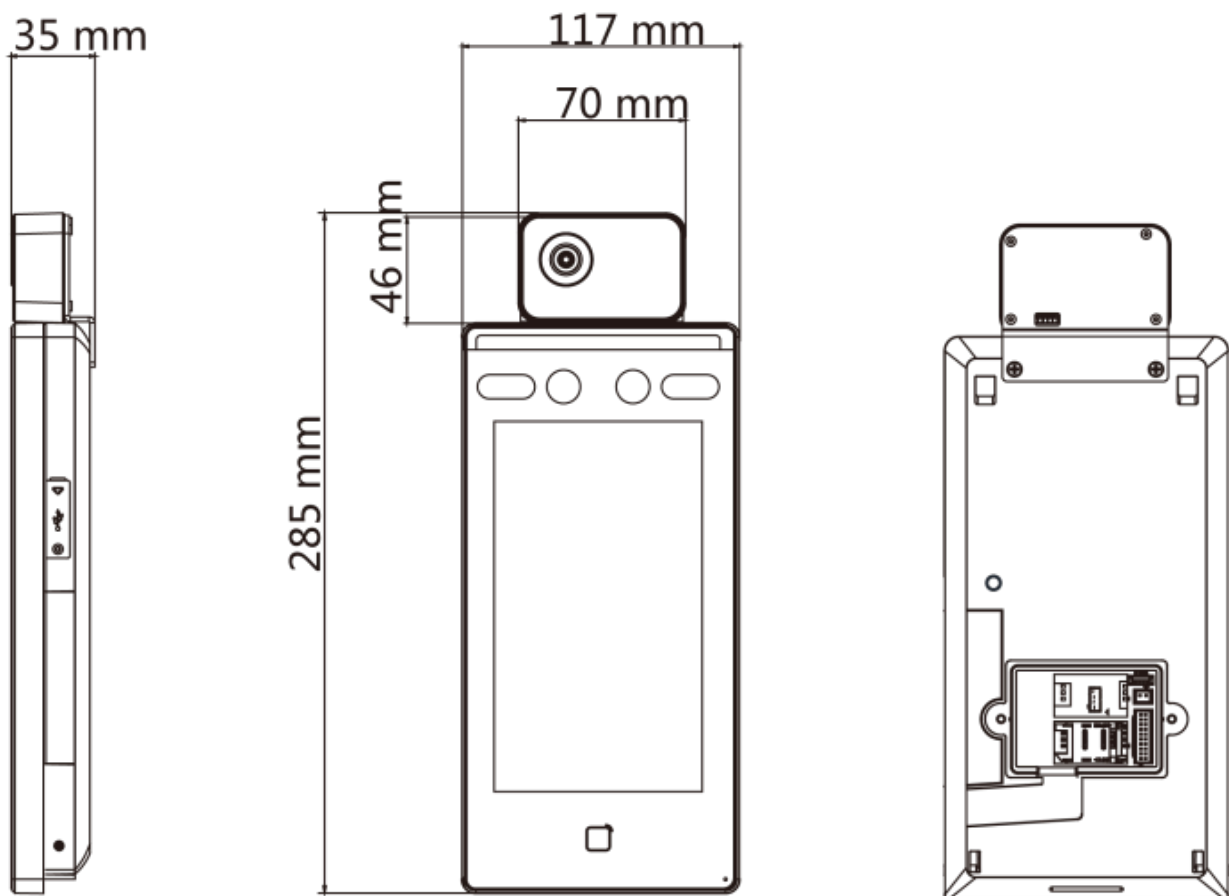
## Specifications

<b>Temperature measurement</b>	
Temperature range	30 °C to 45 °C (86 °F to 113 °F)
Sensor	Vanadium Oxide uncooled sensor
Resolution	120 × 160
Frame rate	25 fps
Measurement accuracy	0.1 °C
Measurement deviation	± 0.5 °C, without black body calibration
Measuring distance	0.3 to 1.8 m
<b>Screen</b>	
Size	7-inch
Type	Touch screen
<b>Camera</b>	
Pixel	2 MP
Lens	Dual-lens
<b>Network</b>	
Wired network	Support, 10/100/1000 Mbps self-adaptive
<b>Interface</b>	
Network interface	1
RS-485	1
Wiegand	1
Lock output	1
Exit button	1
Door contact input	1
IO input	2
IO output	1
TAMPER	1
<b>Capacity</b>	
Card capacity	6000
Face capacity	6000
Event capacity	100,000
<b>Authentication</b>	
Card type	Mifare 1 card
Card reading distance	0 to 5 cm
Card reading duration	< 1 s
Face recognition duration	< 0.2 s per person
Face recognition distance	0.3 to 1.8 m
<b>Function</b>	
Face anti-spoofing	Support
Live view	Support
Audio prompt	Support
<b>Others</b>	
Power supply	12 VDC/2 A
Working temperature	0 °C to 50 °C (32 °F to 122 °F) For temperature measurement: 10 °C to 35 °C (50 °F to 95 °F)
Working humidity	10 to 90% (No condensing)
Application environment	Indoor and windless environment use only

User Interface Of The Software

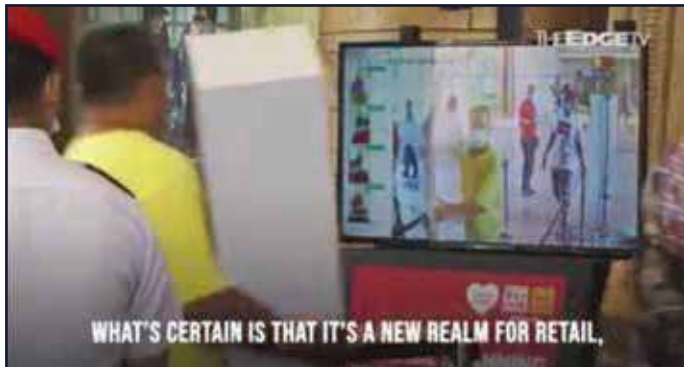
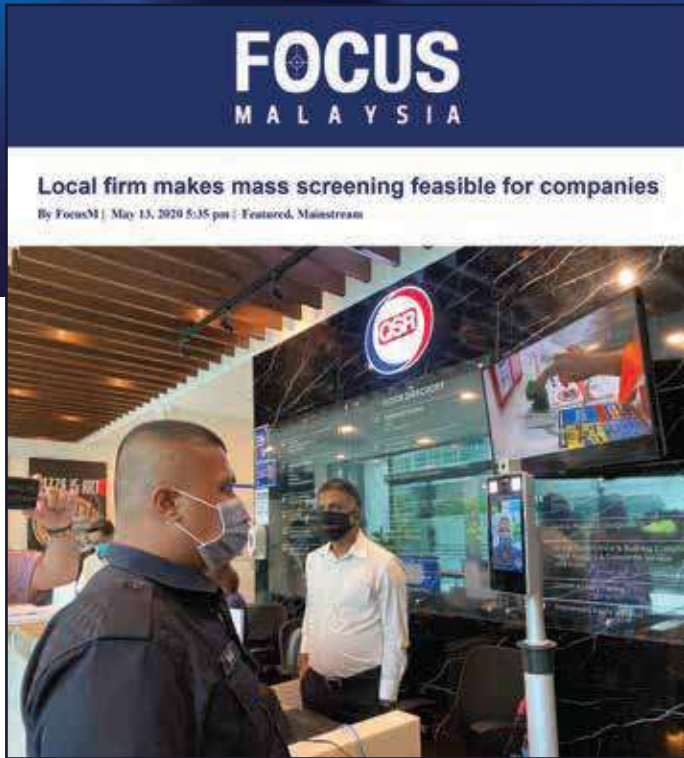


Dimension





# FEATURED IN FOCUS MALAYSIA & EDGE TV



**THERMSCAN**



# SUCCESSFUL DEPLOYMENT

SUNWAY®



PETRON

maxis

MAPA®  
PROFESSIONAL



PETRONAS

TOP GLOVE  
TOP QUALITY. TOP EFFICIENCY

Hartalega



THERMSCAN