

TL100 series

Turn light

- Long life expectancy due to the flush type HID LED light source
- Excellent diffusibility by applying the rotating reflector (exclusive for LED)
- Simple wiring by applying the terminal method
- Built in the rotating Continuous light and 90dB single melody electrical buzzer.
- Power supply voltage 24 V d.c/a.c or 100 - 240 V a.c 50 - 60 Hz.



Suffix code

Model	Code	Description
TL100-	<input type="checkbox"/> <input type="checkbox"/> <input type="checkbox"/> <input type="checkbox"/>	Turn light (Ø100)
Appearance	P	Round cap direct mounting type
	F	Rectangular cap direct mounting type
Operation function	A	Rotating continuous light
	F	Rotating continuous light and buzzer
Power supply voltage	C51	24 V d.c/a.c 50 - 60 Hz
	C41	12 V d.c/a.c 50 - 60 Hz (* Order-made)
	A11	100 - 240 V a.c 50 - 60 Hz
Cap color	R	Red
	Y	Yellow
	G	Green

Specification

Model	TL100-□AC51□	TL100-□FC51□	TL100-□AA11□	TL100-□FA11□
Function	Rotating continuous light	Rotating continuous light, buzzer	Rotating continuous light	Rotating continuous light, buzzer
Dimension	Ø100 Dimension			
Power supply voltage	24 V d.c/a.c		100 - 220 V a.c, 50 - 60 Hz	
Current consumption	Max 3.2 W	Max 3.2 W	Max 5.5 W	
Rotating speed	Approx 180 times/min (reflector)			
Light source	LED (1 Watt)			
Buzzer volume	Approx 90 dB (1 m distance)			
Cap material	Polycarbonate (P.C)			
Body	heat resisting ABS resin			
Cap color	Red, Yellow, Green			
Degree of protection	IP53			

Control switch
Combination display light

Power switch
Main switch
Cam switch

Limit switch
Micro switch

Hoist switch
Foot switch
Mono lever switch


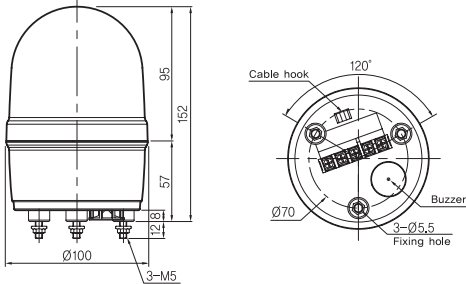

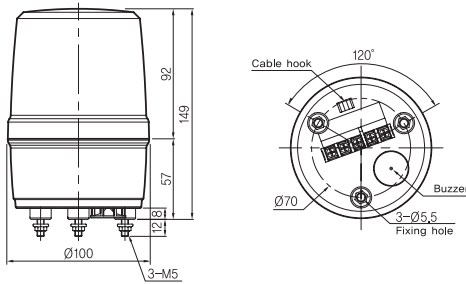
Sign tower
Signal light

Buzzer
Terminal block
Fuse holder


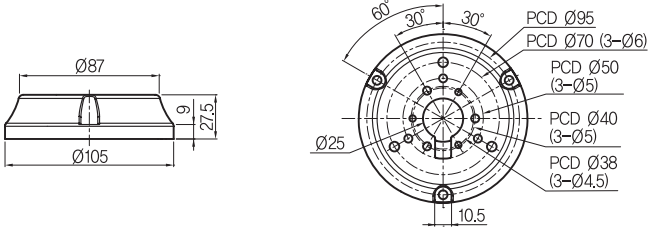

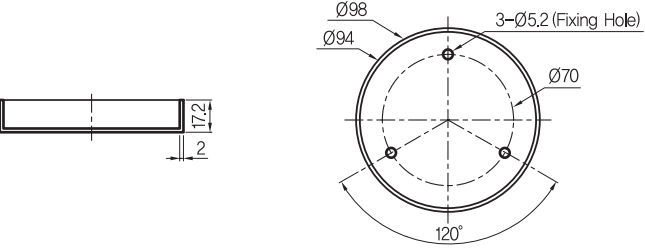
Control box
Cable connector

Discontinued Products

Dimension and panel cutout (unit : mm)

Model	Appearance	Dimension and panel cutout
TL100-P		
TL100-F		

Supporter dimension (unit : mm)

Appearance	Dimension and panel cutout
 <p>STM-105 (Optional)</p>	 <p>Various application (5 types) plastic supporter, used for the direct mounting type $\varnothing 70(3-\varnothing 6)$, $\varnothing 50(3-\varnothing 5)$, $\varnothing 40(3-\varnothing 5)$, $\varnothing 38(3-\varnothing 4.5)$, $\varnothing 25$(middle fixing hole)</p>
 <p>MTM-98 (Optional)</p>	 <p>Because the supporter is made of magnet, it is able to attach/detach to/from the iron-made structure, iron case, car and etc easily.</p>

●● Connection diagram

■ Rotating Continuous light

Model	Contact drive	NPN transistor drive	PNP transistor drive
TL100-□ AC51□			
TL100-□ AA11□			Inapplicable

■ Rotating continuous light, buzzer

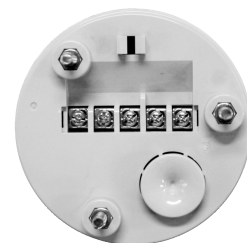
Model	Contact drive	NPN transistor drive	PNP transistor drive
TL100-□ AC51□			
TL100-□ AA11□			Inapplicable

●● Reflector and LED structure

- Due to applying the flush type HID LED light source, it emits the strong rotational light and because of the buzzer function, it has an excellent information transmitting function, strong vibration durability and long life expectancy.
- Simple wiring by applying the terminal method.



LED



Terminal

Control switch
Combination display light

Power switch
Main switch
Cam switch

Limit switch
Micro switch

Hoist switch
Foot switch
Mono lever switch

Sign tower
Signal light

Buzzer
Terminal block
Fuse holder

Control box
Cable connector

Discontinued Products