

STS series

Sign tower

- Ø40, Ø60 and Ø80 various sizes
- Long life expectancy due to the HID LED light source
- 1~5 modules stacking structure and colors (5 kinds)
- 3 types of installation method
- Sign tower continuous light



● Suffix code

Model	Code				Description
STS	<input type="checkbox"/>	<input type="checkbox"/>	<input type="checkbox"/>	<input type="checkbox"/>	Sign tower continuous light
Diameter size	040				Ø40 cylinder type
	060				Ø60 cylinder type
	080				Ø80 cylinder type
Power supply voltage	C51				24 V d.c / a.c 50 – 60 Hz (Dual usage)
	C41				12 V d.c / a.c 50 – 60 Hz (Dual usage)
Stacking modules			1		1 stack (Red)
			2		2 stack (Red, Green)
			3		3 stack (Red, Yellow, Green)
			4		4 stack (Red, Yellow, Green, Blue)
			5		5 stack (Red, Yellow, Green, Blue, White)
Supporter selection			M		Plastic round supporter (Standard)
			L		L type supporter
Optional					Elbow type supporter (ETM)

※ 12 V d.c/a.c : order made product.

■ Applied the lens color to the HID LED

Emit the clear light by unifying the lens with Red LED, Yellow LED, Green LED, Blue LED and White LED.

■ Simple color change

Because LED unit is designed as connector structure type, changing the color or repairing is simple.

●● Specification

Model	STS040-□□□	STS060-□□□	STS080-□□□
Circumference size (diameter)	Ø40	Ø60	Ø80
Power supply voltage	24 V d.c / a.c 50 – 60 Hz (Dual usage)		
Power consumption	Less than approx 6 W. (Base on 5 stack, 0.9 W for each stage)		
Light source	LED		
Light types	Steady light only		
Radiating angle	360°		
Lens material	Polycarbonate (P.C)		
Body material	Heat resistance ABS		
Pipe	Aluminum (Ø18)		Aluminum (Ø25)
Wire length	700 mm		
Lens color	R, G, Y, B and W		
Ambient temperature	-5 ~ 50 °C		
Ambient humidity	35 – 85 % R.H.		
Degree of protection	IP54		

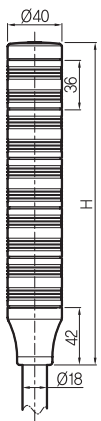
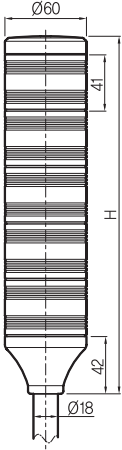
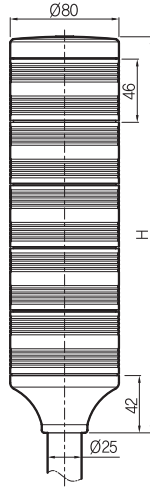
Control switch
Combination display light

Power switch
Main switch
Cam switch

Limit switch
Micro switch

Hoist switch
Foot switch
Mono lever switch

●● Dimension (unit : mm)

Model	STS040-□□□	STS060-□□□	STS080-□□□
Dimension			
	Height(H) mm		
1 stack	93	99	107
2 stack	129	140	153
3 stack	165	181	199
4 stack	201	222	245
5 stack	237	263	291


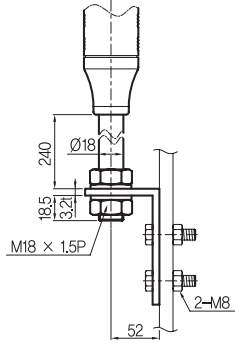
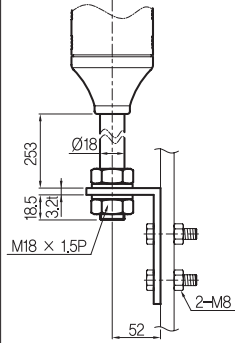
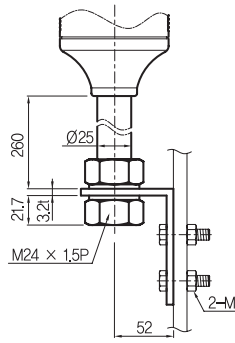
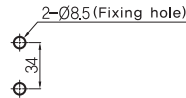
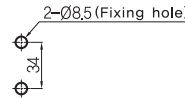
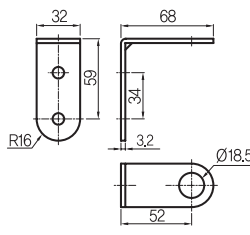
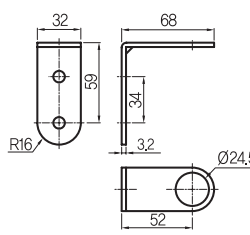
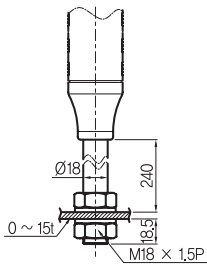
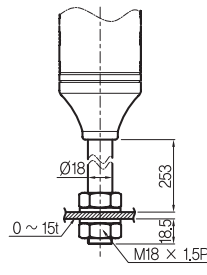
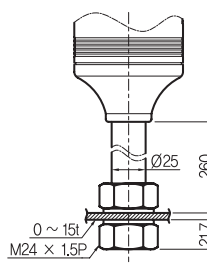
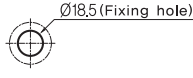
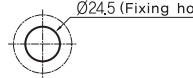
Sign tower
Signal light

Buzzer
Terminal block
Fuse holder


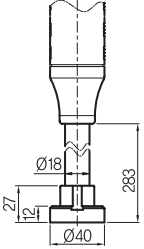
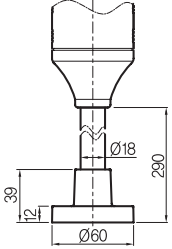
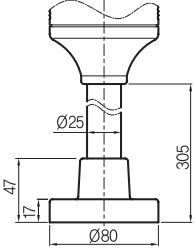

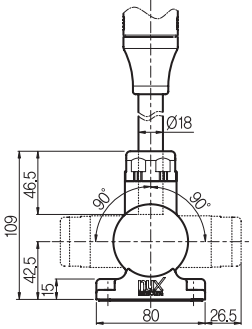
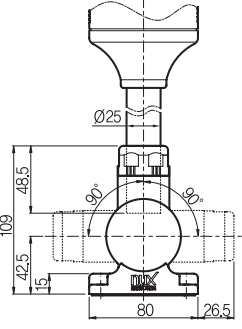
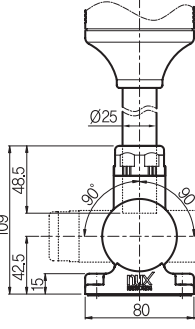
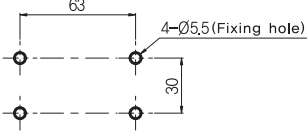
Control box
Cable connector

Discontinued Products

Dimension and panel cutout (unit : mm)

Appearance	STS040-□□□	STS060-□□□	STS080-□□□
 <p>L type supporter</p>			
	 <p>2-$\varnothing 8,5$ (Fixing hole)</p>		 <p>2-$\varnothing 8,5$ (Fixing hole)</p>
			
			
	 <p>$\varnothing 18,5$ (Fixing hole)</p>		 <p>$\varnothing 24,5$ (Fixing hole)</p>

STS series

Appearance	STS040-□□□	STS060-□□□	STS080-□□□
 <p>Plastic round supporter</p>	 <p>3-\varnothing3.4 (Fixing hole) \varnothing29.6 \varnothing15 120°</p>	 <p>3-\varnothing4.2 (Fixing hole) \varnothing40 \varnothing15 120°</p>	 <p>3-\varnothing4.2 (Fixing hole) \varnothing15 \varnothing50 120°</p>
 <p>ETM elbow type supporter (optional)</p>	 <p>109 46.5 42.5 15 80 26.5 90° 90° M33 X 1.0P (Nut)</p>	 <p>109 46.5 42.5 15 80 26.5 90° 90° M33 X 1.0P (Nut)</p>	 <p>109 46.5 42.5 15 80 26.5 90° 90° M33 X 1.0P (Nut)</p>
	 <p>63 4-\varnothing5.5 (Fixing hole) 30</p>		

※ Elbow type supporter : Applied to the \varnothing 18, \varnothing 25 pipe due to the plastic bushing

Control switch
Combination display light

Power switch
Main switch
Cam switch

Limit switch
Micro switch

Hoist switch
Foot switch
Mono lever switch

Signal tower
Signal light

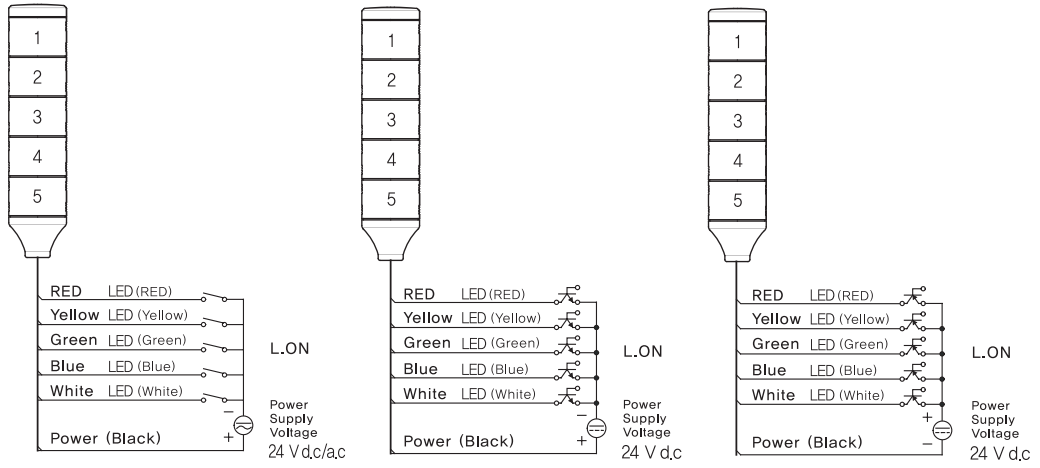
Buzzer
Terminal block
Fuse holder

Control box
Cable connector

Discontinued Products

●● Connection diagram

- Contact running (NPN) ■ NPN transistor running ■ PNP transistor running



※ Wire length : 700 mm

※ L.ON : Light On