

# RLA-WX/WXB

## Signal light (XENON Lamp)

- Ø118 rotating continuous light, rotating continuous light and buzzer built in
- Xenon tube strobe light
- Excellent instant light emitting and high brightness
- Less current consumption compares to the rotating light and 4 times longer life expectancy compares to the regular lamp
- Simple attaching/detaching due to the permanent magnet attachment type (for cars)
- Degree of protection IP54



Control switch  
Combination display light

Power switch  
Main switch  
Cam switch

Limit switch  
Micro switch

Hoist switch  
Foot switch  
Mono lever switch

Sign tower  
Signal light

Buzzer  
Terminal block  
Fuse holder

Control box  
Cable connector

Discontinued Products

### ●● Suffix code

Model	Code		Description
RLA-	<input type="checkbox"/>	<input type="checkbox"/>	Signal light (Ø118)
Function	WX		Strobe light
	WXB		Strobe light and buzzer built in type
Power supply voltage and installation method	01		12 V d.c
	02		24 V d.c
	10		110 V a.c
	20		220 V a.c
	10M		110 V a.c
	20M		220 V a.c
	01A		12 V d.c
	02A		24 V d.c
Cap color	R		Red
	B		Blue

### ●● How to use

- Simple installation method and protect the surface of automobile from the scratches when attaching this product by covering this product with the rubber cover.
- 12V d.c and 24V d.c use cigar jack to operate. Simple power usage (refer to the suffix code)
- Do not separate the cover when power is supplying. Possibility of electric shock because high voltage is being charged.
- Using supporter with the direct installation type provides simple usage (optional)


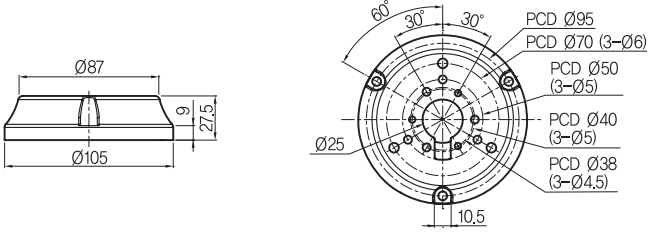
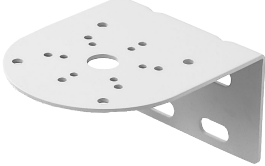
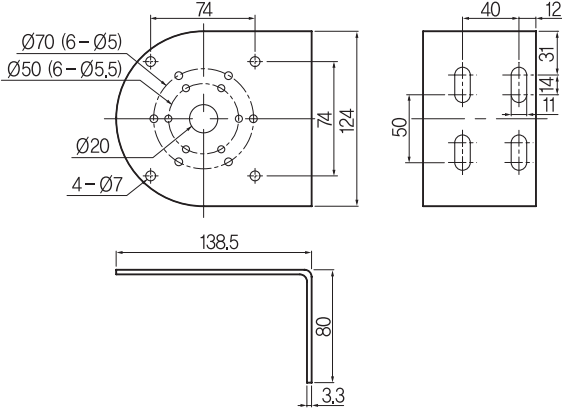
## ●● Specification

Model	RLA-WX□□	RLA-WXB□□
Function	Strobe only	Strobe, Buzzer
Dimension	Ø118 rectangular cap (Direct installation, Magnet attachment type supporter, Magnet attachment type supporter and cigar jack)	
Power supply voltage	12 V d.c, 24 V d.c, 110 V a.c, 220 V a.c 50/60 Hz Selected by the suffix code	
Power consumption	7.2 W (when power supply voltage is 24 V d.c), 12 W (when power supply voltage is 220 V a.c)	
Strobe speed	Approx 60 times/min	
Light source	Xenon tube Strobe light	
Buzzer	-	Buzzer built in (approx 90 dB from distance 1m)
Material	Cap: acryl resin, Body : ABS resin	
Cap color	Red, Blue, White	
Degree of protection	IP54	

## ●● Dimension and panel cutout (unit : mm)

Model	Appearance	Dimension and panel cutout
RLA-WX□□ (Magnet supporter)		
RLA-WXB□□ (Direct installation)		

Supporter dimension (unit : mm)

Appearance	Dimension and panel cutout
 <p>STM-105 (Optional)</p>	
 <p>ST-013 (Optional)</p>	

Control switch  
Combination display light

Power switch  
Main switch  
Cam switch

Limit switch  
Micro switch

Hoist switch  
Foot switch  
Mono lever switch

Sign tower  
Signal light

Connection diagram

Buzzer (buzzer built in type) is connected to the power line

Model	Power supply voltage	Wire Color
RLA-□01□	12 V d.c	white (+), black (-)
RLA-□01A□		Cigar jack
RLA-□02□	24 V d.c	white (+), black (-)
RLA-□02A□		Cigar jack
RLA-□10□	110 V a.c 50/60 Hz	black - white (Only for 2P)
RLA-□10M□		
RLA-□20□	220 V a.c 50/60 Hz	black - red (Only for 2P)
RLA-□20M□		

Buzzer  
Terminal block  
Fuse holder

Control box  
Cable connector

Discontinued Products