

CR-400 series

Rectangular lamp

- Size of surface 40x32mm
- Light source : incandescent lamp / LED selection
- Change the color of indicator by replacing the alphabet plate
- Easy individual mounting, gathered / assembled mounting
- Gathered / assembled mounting by the + shape connector (die casting)



●● Suffix code

Model	Code	Description
CR-40	<input type="checkbox"/> <input type="checkbox"/> <input type="checkbox"/> <input type="checkbox"/>	CR series, rectangular indicator
Power supply voltage	1 1	110 V a.c
	1 2	220 V a.c
	1 3	380 V a.c
	1 4	440 V a.c
	2 12	12 V a.c/d.c
	2 24	24 V a.c/d.c
Light source type	-	Incandescent lamp
	L	LED (Incandescent lamp)
Color of indicator	W	W (white) ※ Default color is white and color R, G, Y and B can be purchased by placing a separate order

●● Specification

Types	Input voltage	2nd voltage	Power consumption	Color of alphabet plate	Reference
CR-401-1 <input type="checkbox"/>	110 V a.c	6.3 V Trans attached	1.0 W	white, red, green, yellow, blue	<ul style="list-style-type: none"> • Size of alphabet plate (31.5 X 24 mm) • Applying light source (incandescent lamp/LED)
CR-401-2 <input type="checkbox"/>	220 V a.c				
CR-401-3 <input type="checkbox"/>	380 V a.c				
CR-401-4 <input type="checkbox"/>	440 V a.c				
CR-402-12 <input type="checkbox"/>	12 V d.c/a.c	Without voltage dropping unit	1.0 W		
CR-402-24 <input type="checkbox"/>	24 V d.c/a.c				

Control switch
Combination display light

Power switch
Main switch
Cam switch

Limit switch
Micro switch

Hoist switch
Foot switch
Mono lever switch

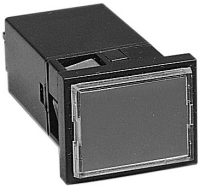
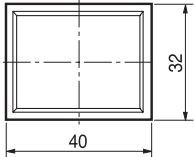
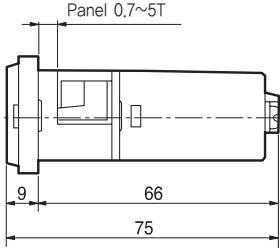
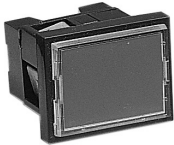
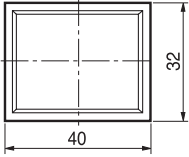
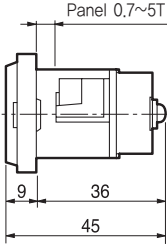
Sign tower
Signal light

Buzzer
Terminal block
Fuse holder

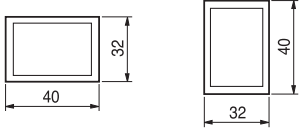
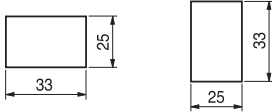
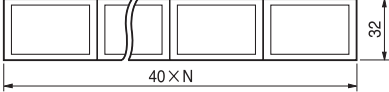
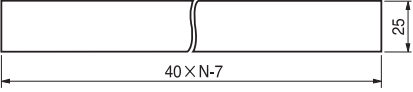
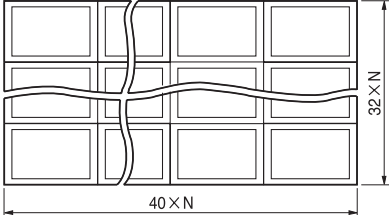
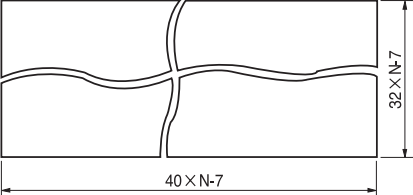
Control box
Cable connector

Discontinued Products

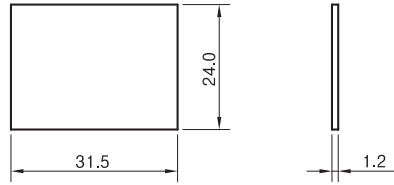
●● Dimension (unit : mm)

Model	Appearance	Dimension	
CR-401 (Trans attached)			
CR-402 (Without voltage dropping unit)			

●● Panel cutout dimension (unit : mm)

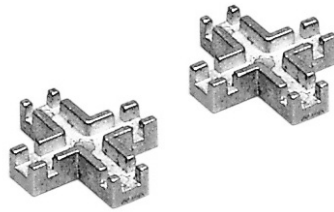
Type	Front view (mm)	Panel cutout dimension (mm)
Independent mounting		
1 row continuous mounting		
Multi rows continuous mounting		

■ Dimension of plate



■ + shape connector when performing the gathered / assembled mounting

(CR-40)



■ Gathered/assembled mounting



Control
switch
Combination
display light

Power switch
Main switch
Cam switch

Limit switch
Micro switch

Hoist switch
Foot switch
Mono lever switch

Sign tower
Signal light

Buzzer
Terminal block
Fuse holder

Control box
Cable connector

Discontinued
Products