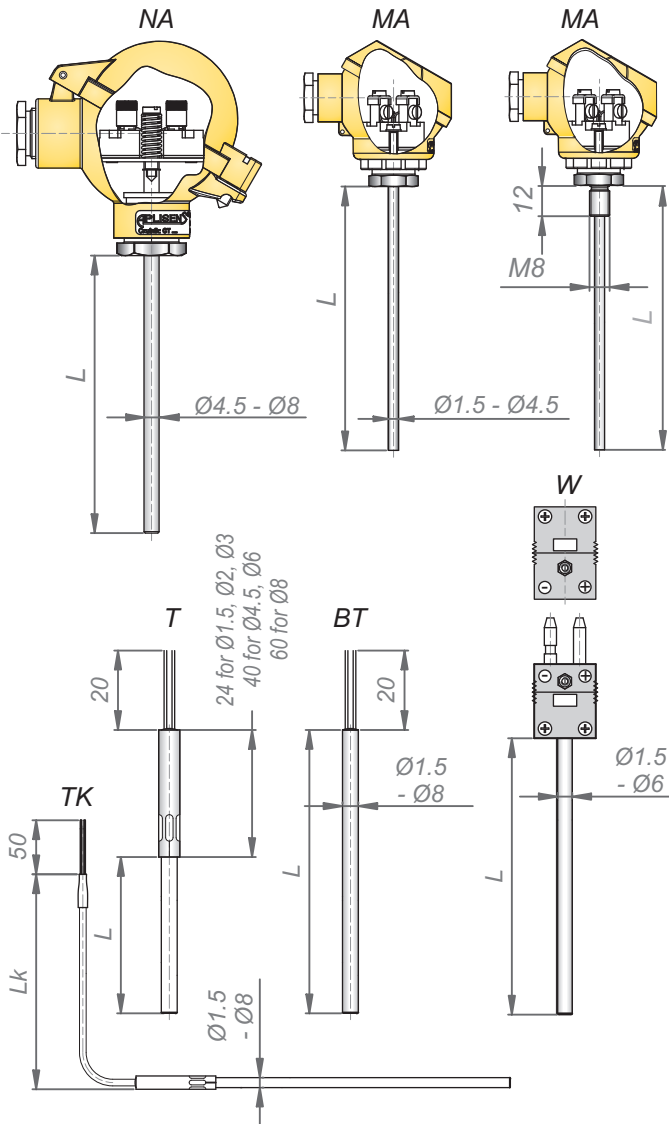


Temperature sensor type CT X



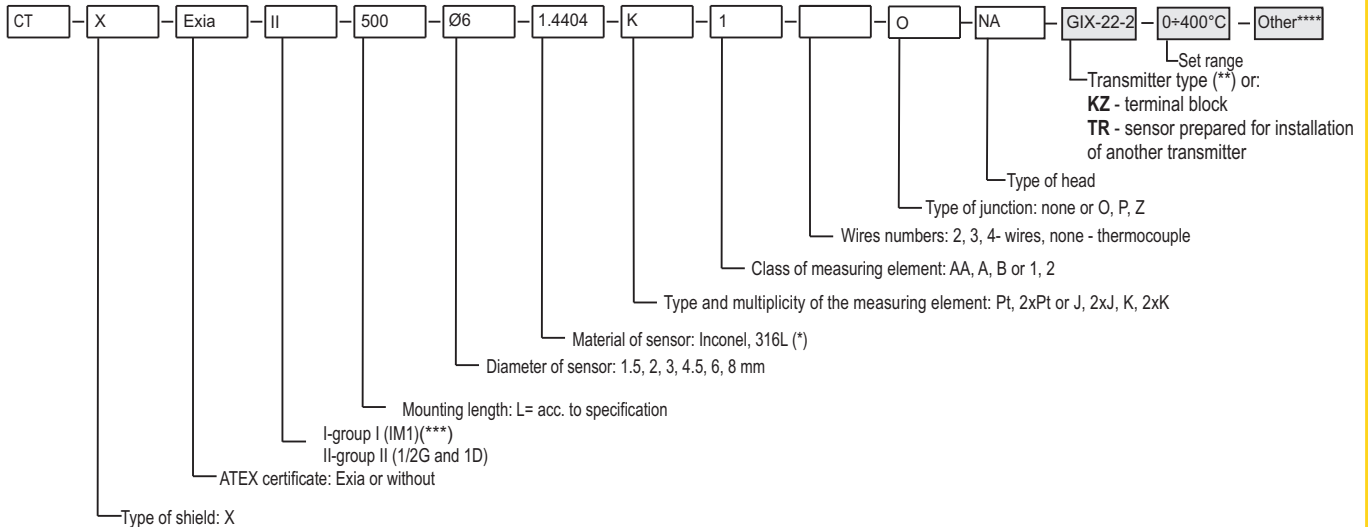
TECHNICAL DATA:

- Measuring range:
Pt: -50...500°C / -196...150°C
J: -40...750°C
K: -40...1000°C
- Material of wetted parts:
316L - for Pt
Inconel 600 - for thermocouple
- Standard immersion length:
L- according to specification
- Standard length of cable:
Lk- according to specification
- External mantle diameter:
Ø=1.5, 2, 3, 4.5, 6, 8 mm
- Minimal bending radius:
2 x Ø
- Time constant:

Diameter	Isolated junction		Grounded junction	
	T _{0.5} [s]	T _{0.9} [s]	T _{0.5} [s]	T _{0.9} [s]
Ø=3	≤ 0.5	≤ 1.5	≤ 0.35	≤ 1.2
Ø=6	≤ 2.5	≤ 6.0	≤ 0.8	≤ 2.5

- Ex I M1 Ex ia I Ma
- Ex II 1/2 G Ex ia IIC T6..T1 Ga/Gb
- Ex II 1D Ex iaD 20 T75°C Da

Ordering procedure with example of ordering code:



ADDITIONAL INFORMATION:

- (*) Non-standard version of temperature sensors on request.
- (**) Type of temp. transmitters: LI-24G, AT-2, GI-22-2, ATX-2, GIX-22-2 or other.
- (***) In version NA head temperature sensor for group I is produced with stainless steel housing.
- (****) Additional required parameters acc. to transmitter data sheet.