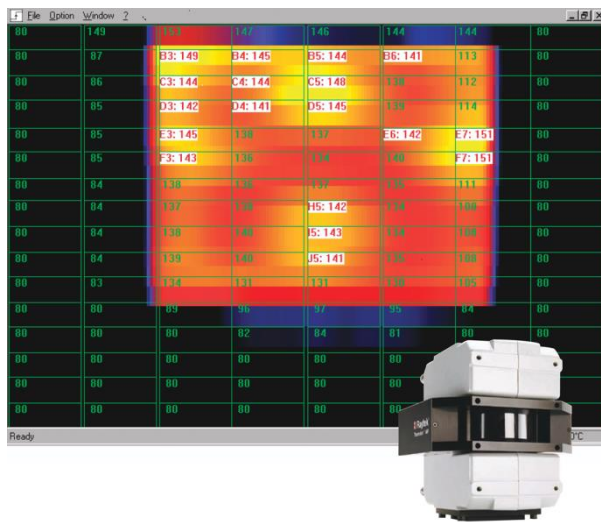


# TF150



## Infrared Temperature Measurement for Thermoforming Processes



- ### Benefits
- Quickly find material defects and failed heating elements
  - Significantly reduce setup time
  - Automate quality monitoring for ISO 9000
  - Improve profitability and product quality
  - Reduce scrap

## Quality Monitoring for Thermoforming Processes

The TF150 System allows thermoformers to visualize the temperature distribution of virtually any plastic part in thermoforming processes.

Core of the system is the MP150 linescanner. The MP150 measures a line of up to 1024 points using a rotating mirror that scans a 90° field-of-view up to 150 times per second. The high scan rate allows rapid detection of temperature non-uniformities and hot spots. The scanning of a sheet can be initiated by the measured temperature, or by an external “trigger” signal. As the heated sheet traverses the field-of-view, a two-dimensional thermal image or “thermogram” is formed. Thermal images are displayed each time the scanned sheet indexes.

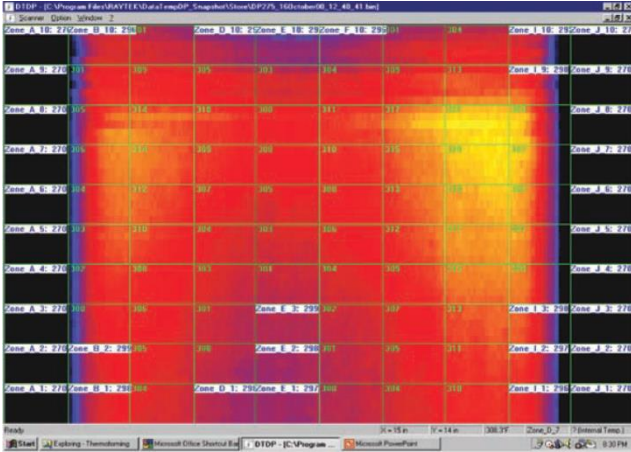
The system software provides features to sub-divide thermal images from MP150 into portions of specific interest, the zones. The zone grid overlaid on the thermal image represents the heating elements in the furnace. Temperatures in each zone can be processed for a certain math function like average, maximum, or minimum temperatures. In case of a thermal defect, the software triggers an alarm. For later analysis, the thermal image is automatically stored in a separate file. The alarm can also be output with an optional digital output module.

Through the use of OPC (OLE for Process Control), the TF150 system acts as an OPC server and communicates with many common process control systems. This feature allows the TF150 to move beyond being just a measurement tool and to become an integral part of the total process control system.

- ### Features
- Detailed thermal images based on 40,000 measurement points per second
  - Define product-specific configurations (recipes)
  - Play back stored files as “movie”
  - Heater zones overlaid on thermal image
  - PC independent alarms
  - Integrated OPC server for remote system control
  - Analog or digital output modules
  - On board Ethernet TCP/IP communication
  - Built-in laser sighting
  - Multiple language support



## System Description



Actual thermogram showing heater zones  
Overheated area on one part due to out of spec sheet thickness

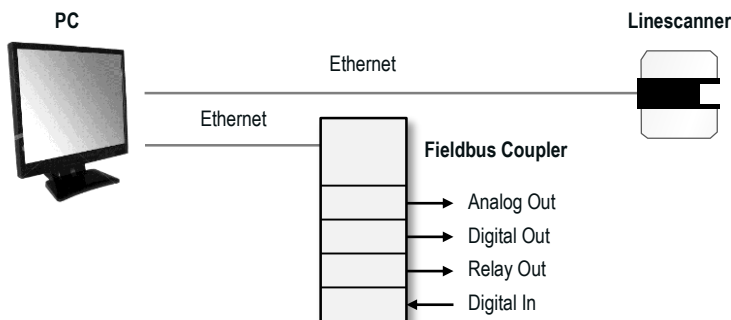
### Sheet Analysis with 40,000 Pixels per Second

The software displays each thermal image snapshot with overlaid customizable zones and zone results. 100 zones are shown (several have alarm conditions). A high-alarm appears red and a low-alarm is blue. To control the heater, the zone results can be output to your PLC or SCADA system.

All thermal image data files can be recalled for analysis and display. As the cursor is moved around the thermal image, the spot temperature and location (x- and y- coordinates) appear on the task bar.

### Easy Installation

The MP150 Linescanner installs easily – just like a camera – and views the sheet between the oven and forming sections from above or below. Connecting the pre-wired cables (included) to a PC and entering installation dimensions in the TF150 Software completes the installation process.



### Specifications

Temperature Range	20 to 350°C (68 to 662°F)
System Accuracy	± 2°C (4°F)
Repeatability	± 1°C (2°F)
Optical Resolution	170:1 (90% energy)
Ambient Temperature	0 to 50°C (32 to 122°F), with water cooling 180°C (356°F)
Field of View	90°
Points per Line	up to 1024 pixels
Scan Rate	up to 150 Hz

### Scope of Delivery

RAYTTF150LT	<ul style="list-style-type: none"> <li>• MP150LT linescanner</li> <li>• TF150 Software</li> <li>• Line laser sighting</li> <li>• Industrial power supply</li> </ul>
-------------	---

### Accessories

XXXTMP50ARMB	Adjustable mounting base
XXXETHBASICKIT	Ethernet Fieldbus Coupler
XXXETH2R	Relay Output Module
XXXETH2AOC4	Analog Output Module
XXXETH16DO	Digital Output Module

## Fluke Process Instruments

### Americas

Santa Cruz, CA USA  
Tel: +1 800 227 8074 (USA/Canada only)  
+1 831 458 3900  
solutions@flukeprocessinstruments.com

### EMEA

Berlin, Germany  
Tel: +49 30 4 78 00 80  
info@flukeprocessinstruments.de

### China

Beijing, China  
Tel: +86 10 6438 4691  
info@flukeprocessinstruments.cn

### Japan

Tokyo, Japan  
Tel: +81 03 6714 3114  
info@flukeprocessinstruments.jp

### Asia East and South

India Tel: +91 22 2920 7691  
Singapore Tel: +65 6799 5578  
sales.asia@flukeprocessinstruments.com



### Worldwide Service

Fluke Process Instruments offers services, including repair and calibration. For more information, contact your local office.

[www.flukeprocessinstruments.com](http://www.flukeprocessinstruments.com)

© 2016 Fluke Process Instruments  
Specifications subject to change without notice. 10/2016 – Rev. D1, 55519