

# BR5

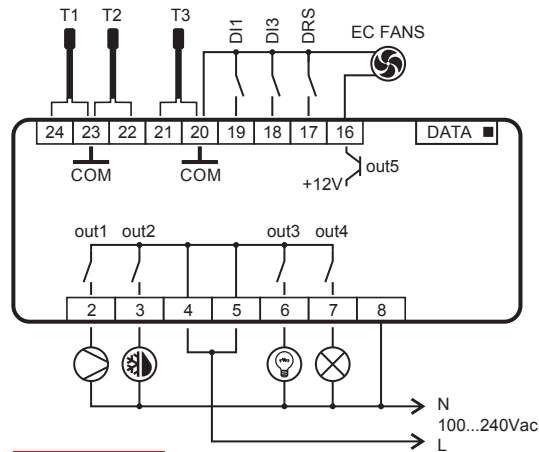
77 x 35 x 90 mm

## Compact Comprehensive Refrigeration Controller



### Main features

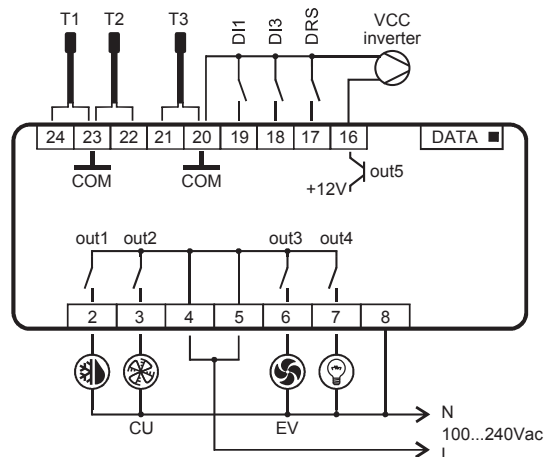
- Up to 5 configurable outputs for a perfect adaptation to the specific needs such as: control of variable speed compressors (*example 2*) or fans (*example 1*), drive of a large external compressor relay (*example 3*), control of lights, ON/OFF fans, heaters, switched loads, defrost, alarms, second evaporator
- With or without RTC for timed control functions
- Suitable for R290 compressors
- Universal mains power supply
- Connectivity to residential supervisory systems or Cloud
- Several display colour options: amber, blue, green, red or white



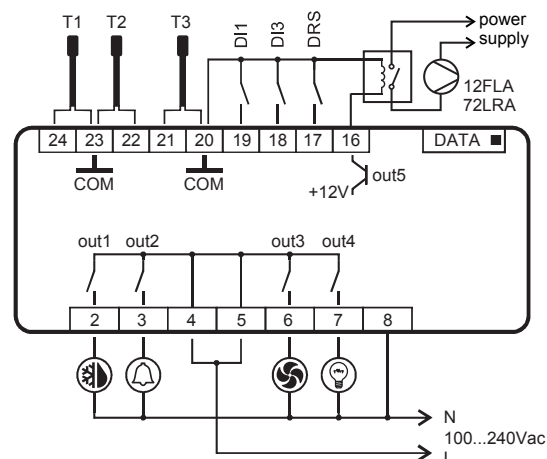
EXAMPLE 1

### Applications

Upright refrigerators, plug-in and supermarket display cases, refrigerated vehicles, cold stores, control panels.



EXAMPLE 2



EXAMPLE 3

# BR5

## BR5 series

Functions		-A001WR	-B001WR	-A101WT
Output OUT5	-A For ECM fans	●		●
	-B For VCC		●	
RTC	0 Fitted	●	●	
	1 None			●
Inputs/Outputs	01 Standard version: 6 inputs, 4 outputs	●	●	●
Power Switch	W 100...240Vac	●	●	●
Serial communication	R RS485	●	●	
	T TTL			●
	F WiFi (external module)			
Aesthetical options and F/W	- None			

› All models are fitted with buzzer.

### Technical Data

Range	-50÷110°C, -58÷180°F
Resolution	0.1 / 1°C; °F
Precision	<±0.5°C within the measurement range
Sensor type	NTC 10KΩ@25°C
Relay output max loads (240Vac):	
OUT1	12A resistive 3.5 FLA; 21 LRA
OUT2	7A resistive 1 FLA; 4 LRA
OUT3	7A resistive 1 FLA; 4 LRA
OUT4	7A resistive 1 FLA; 4 LRA
OUT5	SELV 90mA@12Vdc
Power supply	100÷240Vac ±10% 50÷60Hz 3W
Ambient temperature	-10÷50°C
Real Time Clock battery	>10 years