

AT1-5

77 x 35 x 77 mm

Refrigeration Controller for HT applications

Main Features

- Selectable Refrigerating or Heating control
- Integrated defrost functions
- Runs on mains power supply
- Direct compressor control through high power 16(4)A or 16(8)A relay
- Selectable NTC10K or PTC probe input
- Auxiliary output configurable in four different operation modes
- Temperature, door open alarms
- Optional light control button
- Connectivity to LAE supervisory systems
- UL approved

Applications

Freestanding upright cabinets and counters, cold stores, plug-in display cases, control panels, heated cabinets.

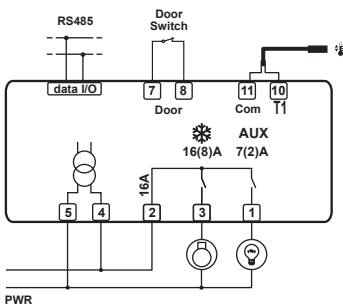
Series AT1-5

Functions		AS5E-G	BS2E-BG	BS6E-AL
Inputs	Thermostat	•	•	•
	Evaporator		•	•
	Door switch		•	•
Outputs	Thermostat 16(4)A		•	
	Thermostat 16(8)A	•		•
	Auxiliary 7(2)A		•	•
Power supply	230Vac	•	•	•
	TTL			•
Serial port	RS-485		•	
	Generic	•	•	
Keypad	With light button			•

- › Models with removable screw terminal blocks are available. In this case, the letter "S" of code changes in "Q", ex. AT1-5BQ2E-BG.
- › All models come with an alarm buzzer.
- › Versions with 110V power supply are available.
- › On request, the AT1-5 is also available with gasket for a better protection between bezel and metal panel.
- › In order to know more options available for the models, please consult LAE or our local dealer.

Technical Data

Control range	-50÷120°C
Resolution	0.1 / 1 °C; °F
Accuracy	NTC10K: $\pm 0.3^{\circ}\text{C}$ (-40.0÷70.0°C) PTC1000: $\pm 0.5^{\circ}\text{C}$ (-50÷120°C)
Sensor type	selectable NTC10K standard mod. SN4B20P1/P2 or PTC1000
Power supply	230V~ ±10% 50÷60Hz 3W
Front protection	IP55
Panel cut-out	71 x 29 mm (WxH)
Ambient temperature	-10÷50°C



AT1-5AS6E-BG

