

The factory-set differential pressure switch 911.82



Applications

Factory-set differential pressure switch for monitoring overpressure, vacuum and differential pressure of air or other non-combustible, non-aggressive gases.

Class of control and regulation function: A

Possible fields of application include:

- Monitoring air filters and ventilators
- Overheating protection for fan heaters
- Monitoring flows in ventilation ducts
- Frost protection for heat exchangers

Versions

Customer specific adjusted values for switching pressure and switching differential.

Temperature range

Operating temperature from -20°C to +85°C.
Storage temperature from -40°C to +85°C.

Switching pressure

Factory setting between 20 ... 1000 Pa.

Switching differential

Factory setting between 10% ... 20% of the switching pressure, min. 10 Pa.

Accuracy of the switching pressure @ 20°C

Uncertainty $\pm 10\%$, min. ± 10 Pa.
Repeatability $\pm 1\%$, min. ± 3 Pa.
Higher accuracy on request.

Maximum operating pressure

10 kPa.

Medium

Air, non-combustible and non-aggressive gases.

Diaphragm material

Silicone, tempered at 200°C, free of gas emissions.
Other materials available on request.

Housing materials

Switch body and cover of plastic.

Life

Mechanically more than 1 million cycles

Weight

With cover 94 gr, without cover 82 gr.

Pressure connections

2 plastic pipe connection pieces (P1 and P2), external diameter 6.0 mm:

P1 for connection to higher pressure (marked +)
P2 for connection to lower pressure (marked .)

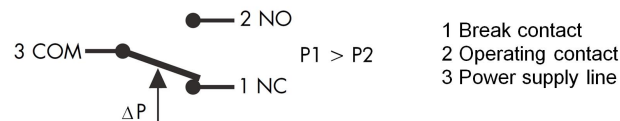
Electrical rating

Standard version: max. 1.5 A (0.4 A) / 250 VAC
Low-voltage version: max. 0.1 A / 24 VDC

Electrical connections

Tab terminal 6.3 mm x 0.8 mm in accordance with DIN 46244 or push-on screw terminals. Cable conduit with cable strain relief.

Arrangement of contacts



Protection

IP 54 with protection cap
IP 00 without protection cap

Protection class

Protection class II is only met by using a protection cap.

The pressure switch without protection cap is provided for installation in equipment. The construction of the equipment and the type of installation determine the protection class.

Warning

Read instructions before use. This regulating and control unit must be installed in compliance with the applicable regulations.

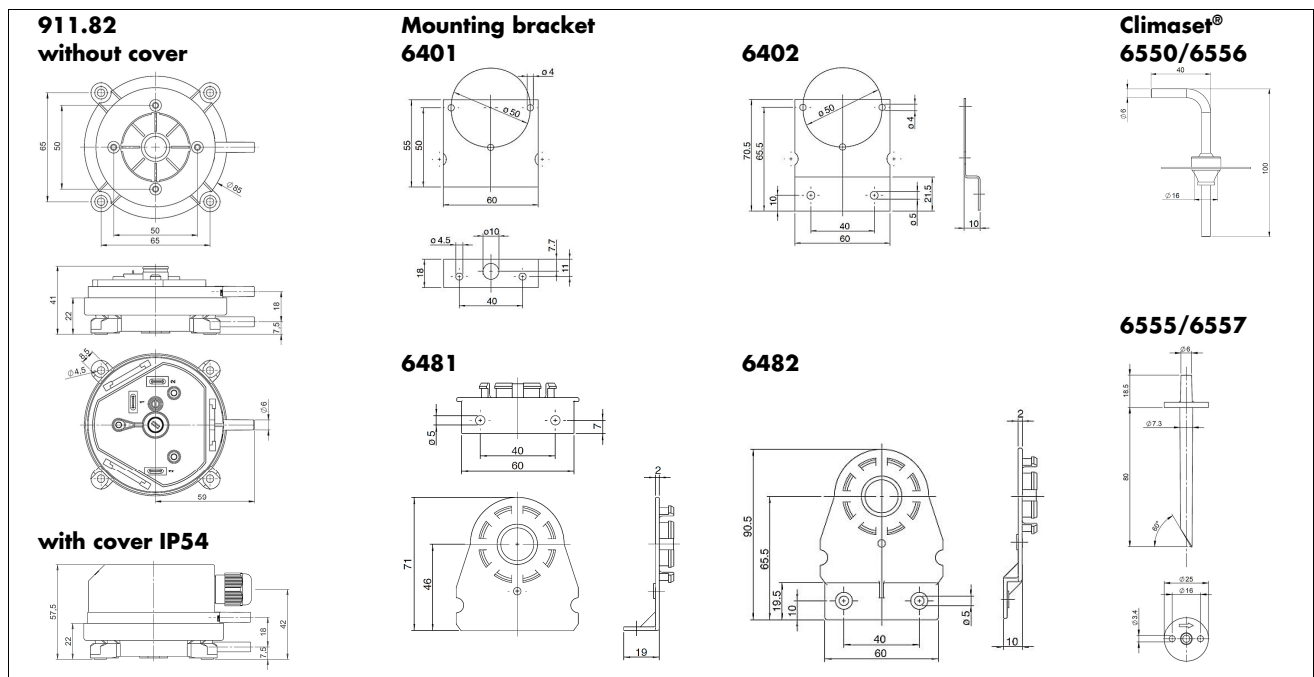
CE Conformity

Each depending on technical version:
EU Low Voltage Directive; EU RoHS Directive,
EU Gas Appliances Directive.

Specifications according to EN1854

Deviation: $m \pm 15\%$, min. ± 10 Pa
Drift: $m \pm 15\%$

The factory-set differential pressure switch 911.82



Order matrix		911.82	X	X	2	0	X	X
Pressure ranges	20 to 150 Pascal (0.2 to 1.5 mbar)		1					
	150 to 700 Pascal (1.5 to 7.0 mbar)		2					
	700 to 1000 Pascal (7.0 to 10.0 mbar)		3					
Switching contacts	gold-plated for low voltages, screw terminals enclosed			1				
	up to maximum 1.5 A (0.4) / 250 VAC, screw terminals enclosed			2				
	up to maximum 1.5 A (0.4) / 250 VAC with tab terminals 6.3x0.8 mm			3				
	gold-plated for low voltages with tab terminals 6.3x0.8 mm			4				
Fitting method	mounted directly without bracket				2			
Adjustment knob	without adjustment knob					0		
IP protection category	IP 54 with cable conduit M20x1.5						2	
	IP 54 with cable conduit NPT1/2						3	
	IP 00 without cover						4	
	IP 54 with cap nut conduit AF20						5	
Packaging	45 pcs. per carton with cover / 60 pcs. per carton without cover							1
	Folding boxes included							2

Accessories	Article-No.
Metal mounting bracket S-shaped	6402
Metal mounting bracket L-shaped	6401
Snap-on plastic bracket, S-shaped	6482
Snap-on plastic bracket, L-shaped	6481
Climaset® consisting of 2m PVC piping and two plastic nipples	6555
Climaset® consisting of 2m silicone piping and two plastic nipples	6557
Climaset® consisting of 2m PVC piping and two angled metal pipes	6550
Climaset® consisting of 2m silicone piping and two angled metal pipes	6556
Set consisting of three push-on screw terminals	6415
IP 54 cover with cap nut conduit AF20	6313
IP 54 cover with cable conduit M20x1.5	6303
IP 54 cover with NPT1/2+cable conduit without counter parts	6569
0.8 mm nozzle for damping pressure surges	6338
0.5 mm nozzle for damping pressure surges	6334



Beck GmbH
 Druckkontrolltechnik
 P.O. Box 11 31
 D-71140 Steinenbronn
 Telephone +49 (71 57) 52 87-0
 Telefax +49 (71 57) 52 87-83
 e-mail sales@beck-sensors.com
 http://www.beck-sensors.com