

The adjustable gas pressure switch Prescal®



Application

Adjustable pressure switch for monitoring the overpressure of combustible gases of the gas families 1 = city gas, 2 = natural gas and 3 = LPG.

The pressure switch uses a scaled adjustment knob to enable the adjustment of trip and reset pressure without the use of a screwdriver.

Class of control and regulation function: A

Temperature range

Ambient temperature from 0 to +80°C
 Temperature of media from 0 to +80°C
 Storage temperature from -40 to +80°C

Diaphragm material

NBR according to DIN EN 549.

Accuracy of the switching pressure

Deviation $\leq \pm 15\%$ of switching pressure
 Drift $\leq \pm 15\%$ of switching pressure

Electrical rating

Standard version max. 6 (1.5) A / 250 VAC
 Low-voltage version max. 100 mA / 24 VAC

Electrical connection

Tab terminal 6.3 mm x 0.8 mm in accordance with DIN 46244

Threaded connector

M 10x1, G 1/8 or G 1/4 of Brass (CuZn40) or stainless steel (V2A)

Pressure ranges

Type	Adjustment range for trip pressure		Switching differential	Damping nozzle \varnothing	Maximum positive working pressure	Maximum negative working pressure
	from	to				
901.61	5	20 mbar	3 mbar	0.3 mm	0.5 bar	0 bar
901.62	10	50 mbar	5 mbar	0.3 mm	0.5 bar	0 bar
901.63	25	100 mbar	10 mbar	0.3 mm	0.5 bar	0 bar
901.64	50	250 mbar	20 mbar	0.2 mm	1 bar	0 bar
901.65	100	500 mbar	50 mbar	0.2 mm	1 bar	0 bar

Arrangement of contacts



Protection

IP00 without protection cap
 IP 44 / IP 54 / IP 65 depending on the used protection cap

Protection class

Protection class II is only met by using a protection cap from our accessories program.

The pressure switch without protection cap is provided for installation in equipment. The construction of the equipment and the type of installation determine the protection class.

Warning

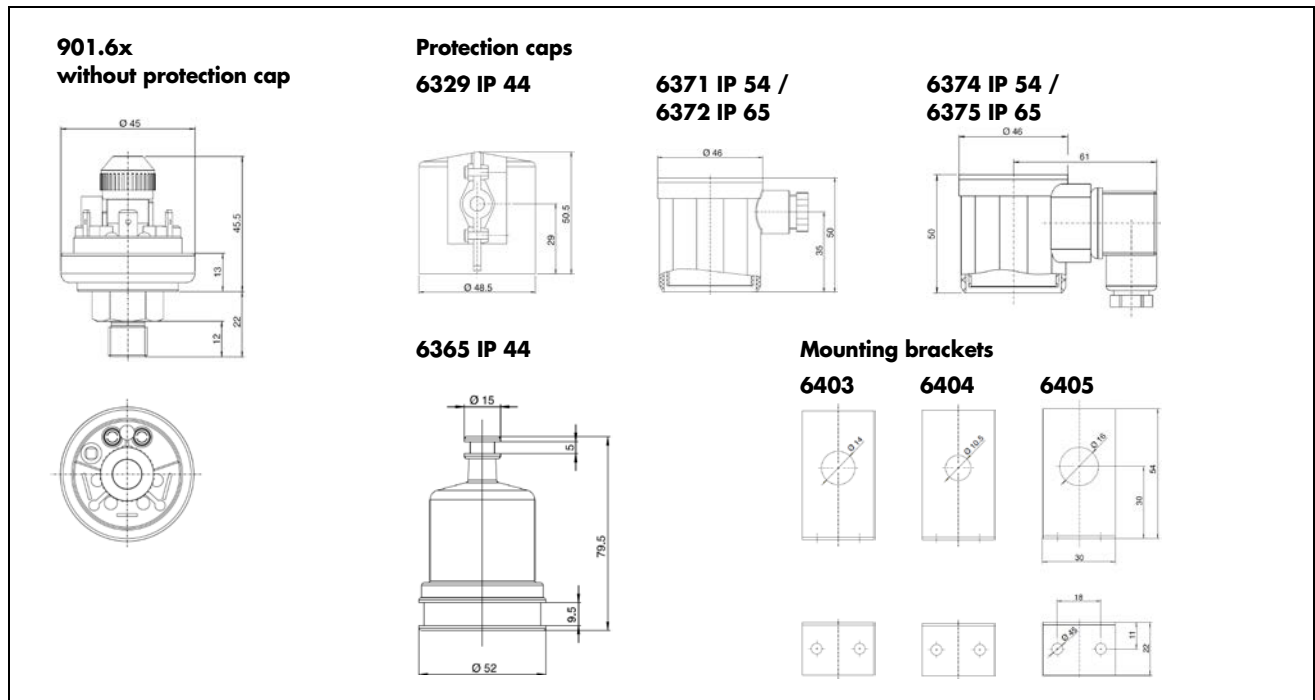
Read instructions before use. This regulating and control unit must be installed in compliance with the applicable regulations.

Conformity

EU Gas Appliances Regulation according to EN 1854
 EU Low Voltage Directive
 EU RoHS Directive

Gas pressure switch 901 Prescal®

with adjustable setting



Order matrix		901.6	X	1	1	G	X	X
Pressure ranges	5 ... 20 mbar		1					
	10 ... 50 mbar		2					
	25 ... 100 mbar		3					
	50 ... 250 mbar		4					
	100 ... 500 mbar		5					
Pressure connection	G1/4 Brass (CuZn40)						L	
	G1/8 Brass (CuZn40)						M	
	M10x1 Brass (CuZn40)						N	
	M10x1 Stainless steel (V2A)						P	
	G1/8 Stainless steel (V2A)						Q	
	G1/4 Stainless steel (V2A)						R	
Switch contacts	0,1A / 24VAC Gold-plated							1
	6A / 250VAC AgNi							4

Accessories	Article-No.
Protection cap IP44 with lateral cable feed	6329
Protection cap IP44 of solid rubber	6365
Protection cap IP54 with cable conduit M12	6371
Protection cap IP65 with cable conduit M12	6372
Protection cap IP54 with connector, Shape A, to EN 175301-803	6374
Protection cap IP65 with connector, Shape A, to EN 175301-803	6375
Mounting bracket L-shaped for G1/4 connection	6403
Mounting bracket L-shaped for G1/8 and M10x1 connection	6404
Mounting bracket L-shaped for clamping spring mounting	6405



Beck GmbH
 Druckkontrolltechnik
 P.O. Box 11 31
 D-71140 Steinenbronn
 Telephone +49 (71 57) 52 87-0
 Telefax +49 (71 57) 52 87-83
 e-mail sales@beck-sensors.com
 http://www.beck-sensors.com